

X-FIRES™ WIDESCREEN

DAVE LENNOX
signature
COLLECTION™

Appliance Specifications

Product Reference Information			
Cat. #	Model	Ship. Wt.	Ship. Volume
H7224	X-FIRE-WS-NG	71 lb.	6.07 cu. ft.
H7225	X-FIRE-WS-LP	71 lb.	6.07 cu. ft.

Ratings	
Input	NG = 6,820 - 11,950 BTU/HR LP = 6,820 - 10,235 BTU/HR
Fuel	Natural Gas and Propane Gas
Venting	Ventless (No Chimney Or Flue Required)
Efficiency	99.99%
Installation	Wall-Mounted (Mounting Template Supplied)
Wall Requirements	Any Wall Surface, Including Combustible Surfaces (Unit Can Not Be Recessed Into Wall)
Manual Control	Manual Rotary - Concealed Behind Glass
Inlet Pressure	NG - Minimum 6" W.C. LP - Minimum 11" W.C.
Ignition	Piezo
Safety Features	O.D.S. - Oxygen Depletion Sensor
Minimum Room Size	600 Cubic Feet*

X-Fires™ Widescreen Catalytic Vent-free Fireplaces



Front View

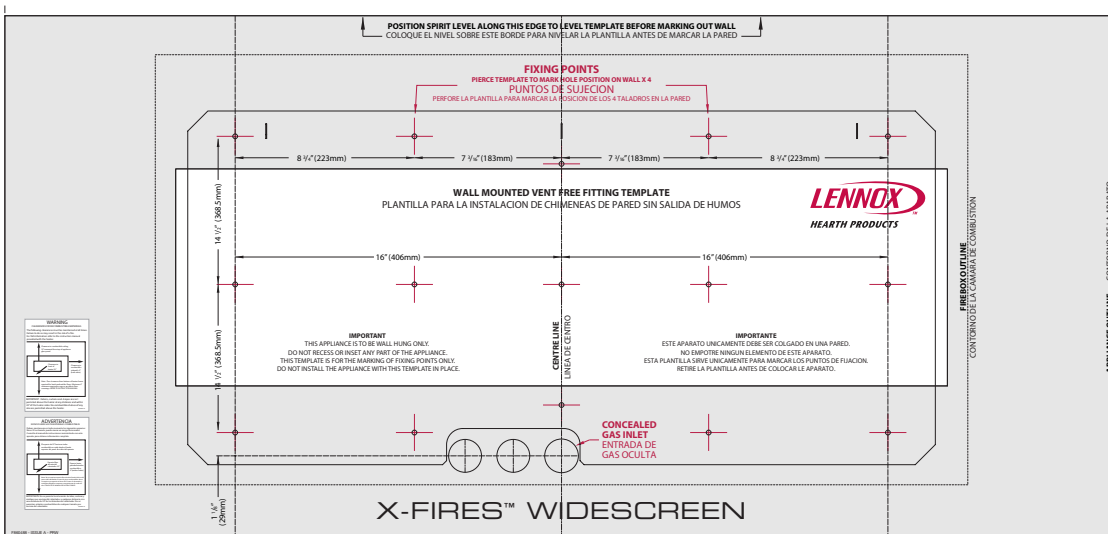


Side View

* Does not include any additional fuel burning appliances in the space. If you have any additional gas burning appliances in the space, follow combustion and ventilation air section from product installation instructions.

A FULL SIZE TEMPLATE IS SUPPLIED TO ASSIST WITH WALL MOUNTING

Listing
Information



This Lennox Hearth Products invented gas room heater is certified by OMNI-Test Laboratories, Inc to ANSI Z21.11.2 standard.

Tested & Listed By **O-T-L** Portland Oregon USA
OMNI-Test Laboratories, Inc.

Report No. 317-F-11-5

Diagrams, illustrations and photographs are not to scale – consult installation instructions. Product designs, materials, dimensions, specifications, colors and prices are subject to change or discontinuance without notice.

X-FIRES™ WIDESCREEN

Combustible Clearances

Side Clearance To Combustibles: 4"

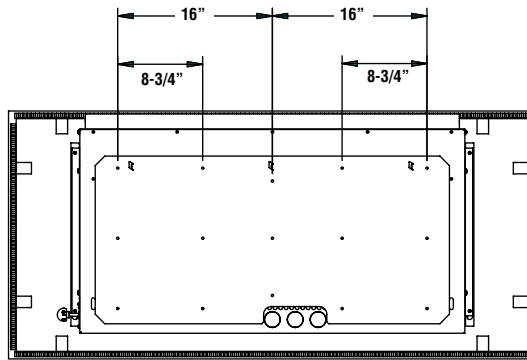
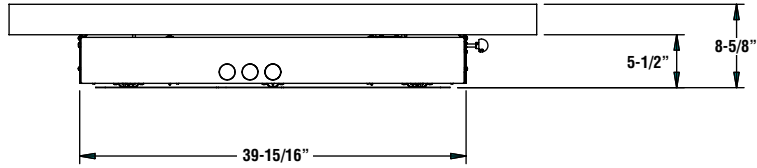
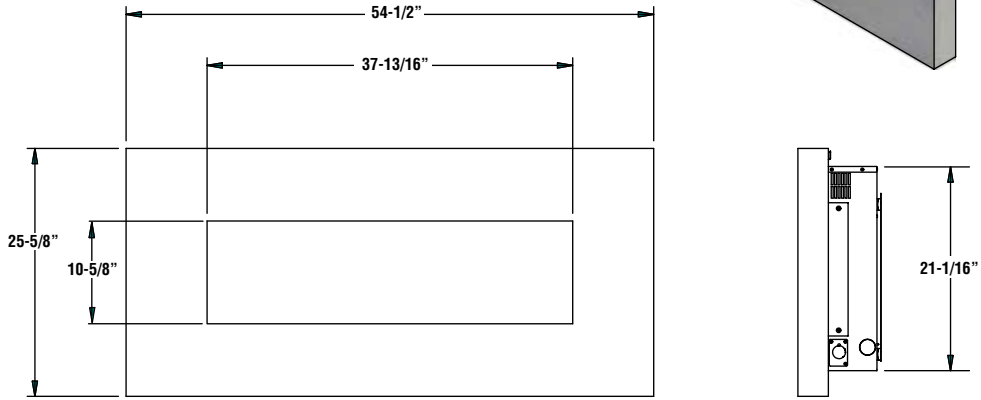
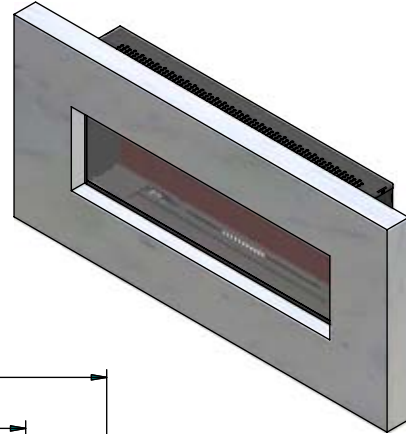
Side Clearance To Curtains, Drapes and Other Fabrics: 20"

Minimum Clearance To Ceiling Above Appliance: 32" (measured from top of glass panel)

Clearance To Combustibles Placed Directly In Front Of Unit: 40"

Due to heat output, electronic appliances such as televisions, should not be mounted on the wall above the unit

Note: See installation instructions manual supplied with fireplace, for specific installation details



Fireplace and Surround Dimensions

X-FIRE-WS Surround Kits				
Cat. No.	Model	Description	Ship. Wt.	Ship. Volume
H7228	X-FIRE-1000-L	Limestone Surround	71 lb.	6.15 cu. ft.
H7229	X-FIRE-1000-G	Granite Surround	71 lb.	6.15 cu. ft.