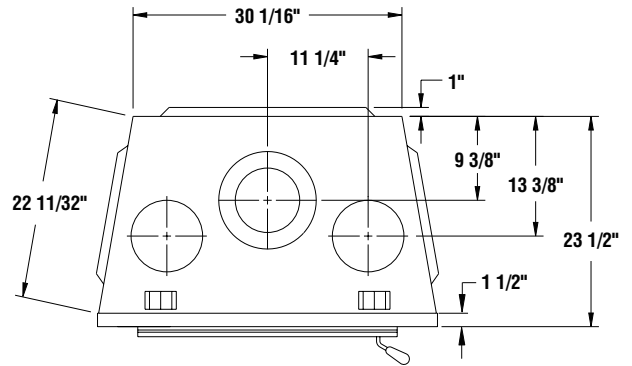
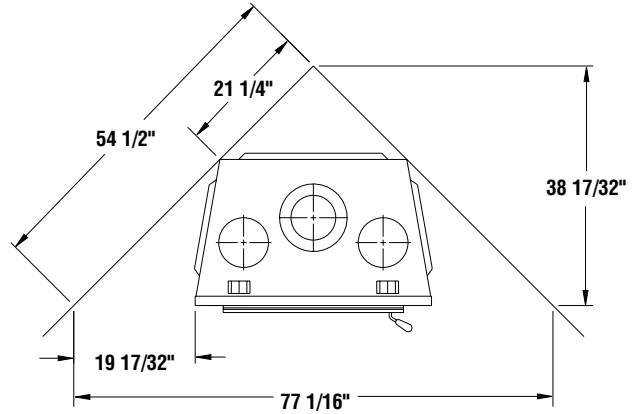
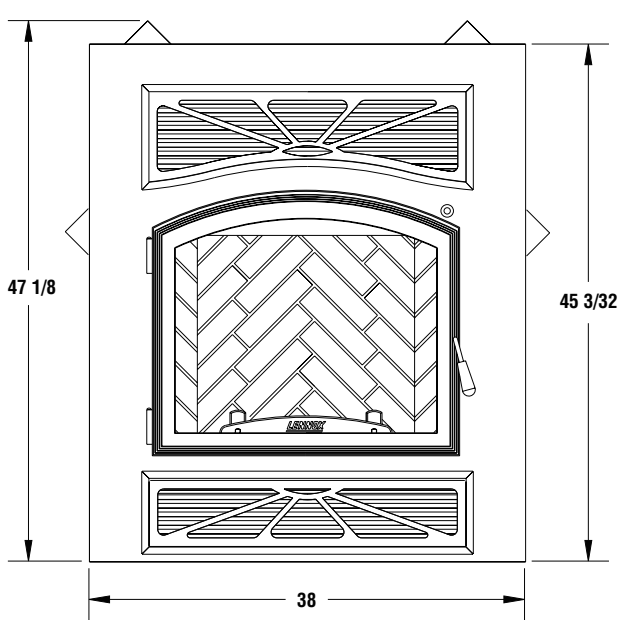
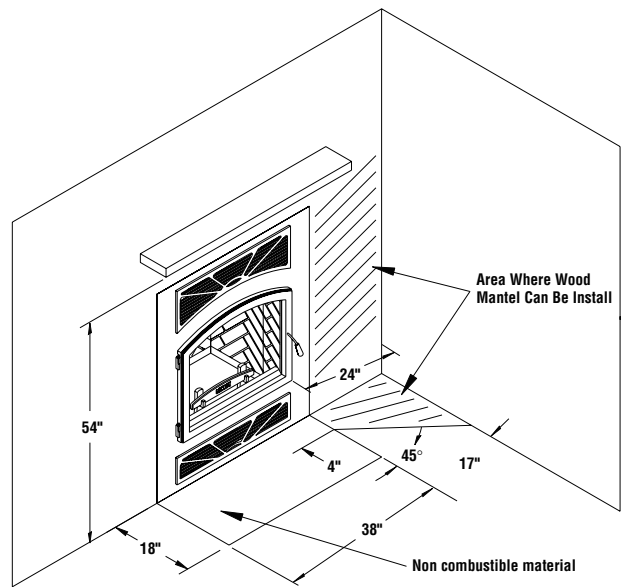
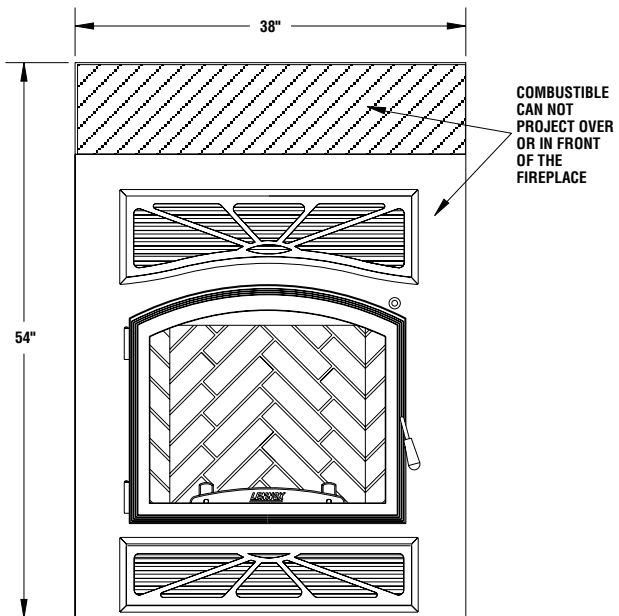


VILLA VISTA

FIREPLACE DIMENSIONS

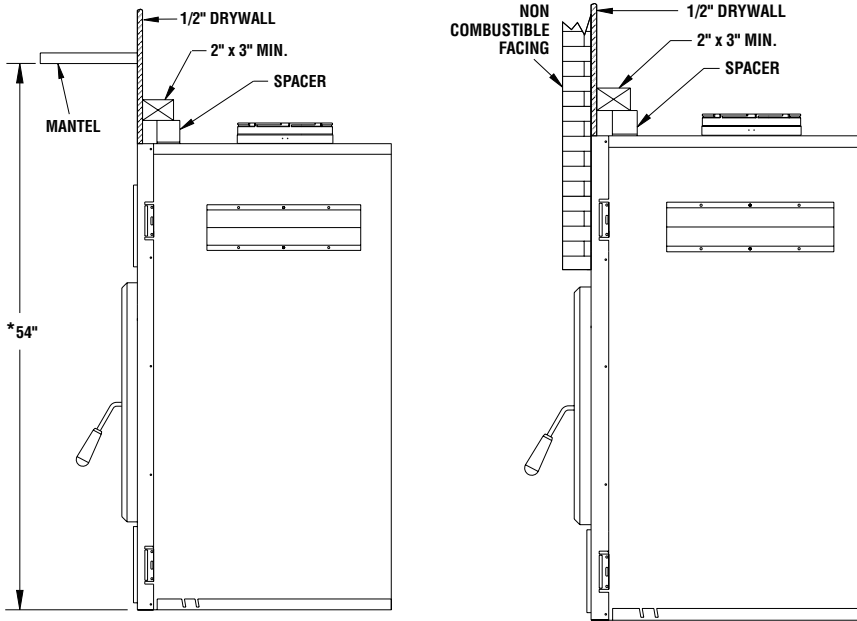


FIREPLACE FINISHES



VILLA VISTA

FIREPLACE FINISHES



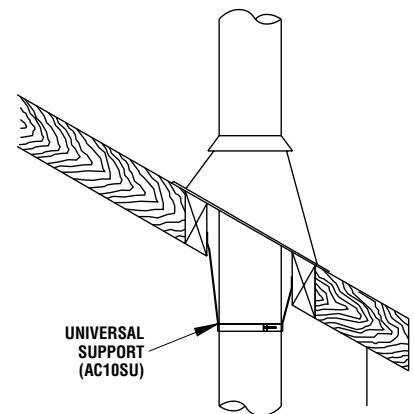
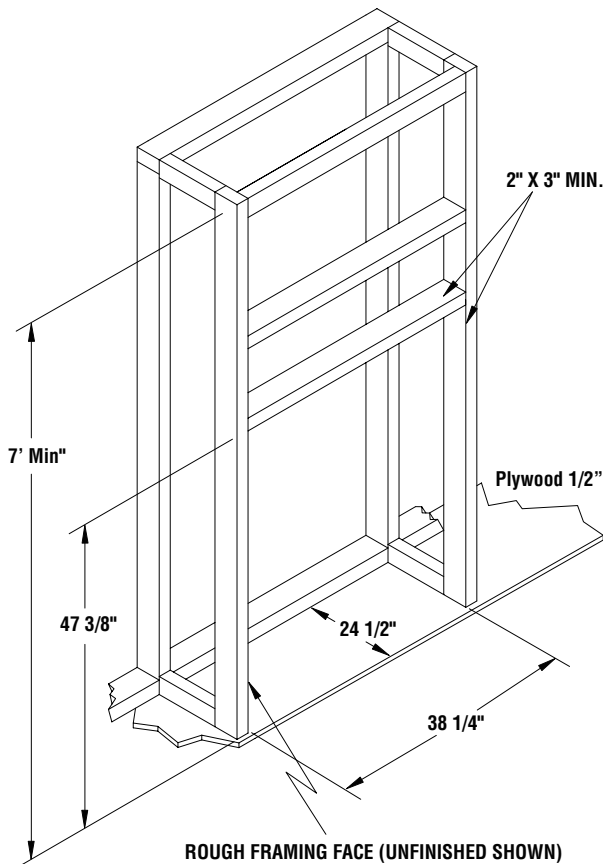
Mantel

The mantel must be installed at least 54" (1372 mm) above the base of the fireplace.

***NOTE:** Mantel can be reduced to 48" (1219 mm) if the Clean Face Panel option is installed with the gravity kit.

ROOF DOWN SLOPE HOLE SIZE		
DEGREE OF SLOPE	ACBI	ASHT+
	7"	7"
0 *	15" (380 mm)	13 3/8" (340 mm)
2/12	15 5/8" (390 mm)	13 5/8" (345 mm)
4/12	16 1/8" (410 mm)	14 1/8" (359 mm)
6/12	15" (380 mm)	15" (380 mm)
8/12	18 1/4" (465 mm)	16 1/8" (410 mm)
10/12	19 5/8" (445 mm)	17 1/2" (445 mm)
12/12	21 3/8" (545 mm)	19" (483 mm)
* CROSS SLOPE HOLE SIZE		

FIREPLACE FRAMING



Minimum System Height

Vertical installation	12 ft. (3.66 m)
Two (2) elbows	15 ft. (4.57 m)
Four (4) elbows	17 ft. (5.18 m)