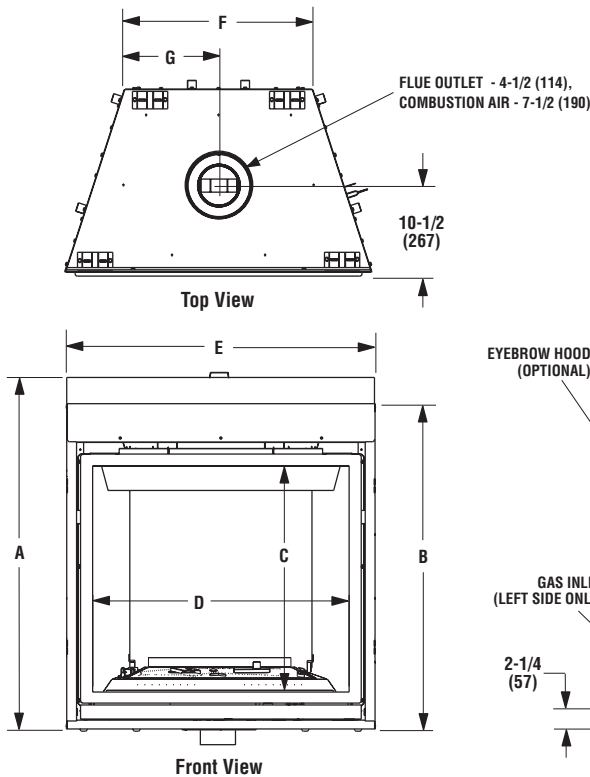
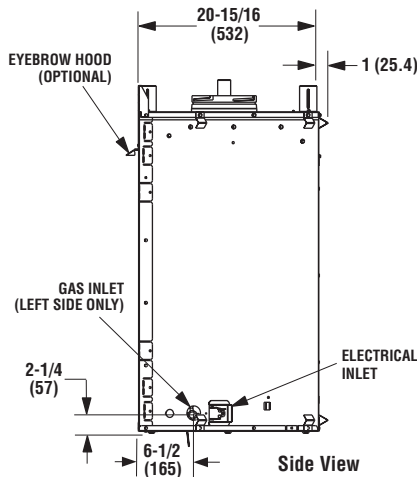


SYM-35/SYM-40/SYM-45

Appliance Specifications



| Model No. | | A | B | C | D | E | F | G | H |
|-----------|-----|--------|--------|--------|--------|--------|--------|--------|--------|
| SYM-35 | in. | 40 1/8 | 37 1/8 | 25 5/8 | 29 1/8 | 35 1/8 | 21 1/2 | 10 3/4 | 32 1/2 |
| | mm | 1091 | 943 | 651 | 740 | 892 | 546 | 273 | 825 |
| SYM-40 | in. | 40 1/8 | 37 1/8 | 25 5/8 | 34 1/8 | 40 1/8 | 26 1/2 | 13 3/4 | 32 1/2 |
| | mm | 1091 | 943 | 651 | 867 | 1019 | 675 | 337 | 825 |
| SYM-45 | in. | 40 1/8 | 37 1/8 | 25 5/8 | 39 1/8 | 45 1/8 | 31 1/2 | 15 3/4 | 32 1/2 |
| | mm | 1091 | 943 | 651 | 994 | 1146 | 802 | 401 | 825 |



Product Reference Information

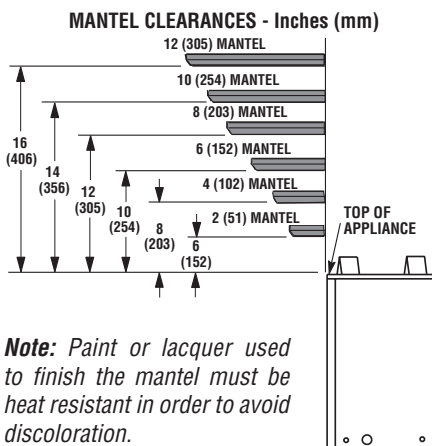
| | Weight | Cubic Ft. | BTU/HR |
|---------|---------|-----------|--------|
| SYM-35N | 165 lb. | 26.1 | 33,000 |
| SYM-35P | 165 lb. | 26.1 | 27,500 |
| SYM-40N | 188 lb. | 29.6 | 37,000 |
| SYM-40P | 188 lb. | 29.6 | 32,000 |
| SYM-45N | 212 lb. | 33.03 | 39,000 |
| SYM-45P | 212 lb. | 33.03 | 33,500 |

Note: All specifications, ratings and dimensions are subject to change without notice.

Fireplace Finishes

Mantels And Trim

Vertical installation clearances to combustible mantels vary according to the depth of the mantel. The figure below details these required clearances. Mantels constructed of non-combustible materials may be installed at any height above the appliance opening, however, do not allow anything to hang below the eyebrow.



Note: Paint or lacquer used to finish the mantel must be heat resistant in order to avoid discoloration.

Minimum Clearance To Combustibles

A hearth extension is not required with this appliance. If a hearth extension is used, do not block the control compartment access panel. Any hearth extension used is for appearance only and does not have to conform to standard hearth extension installation requirements.

Note: Combustible wall finish materials and/or surround materials must not be allowed to encroach the area defined by the appliance front face (black sheet metal). Never allow combustible materials to be positioned in front of or overlapping the appliance front face.

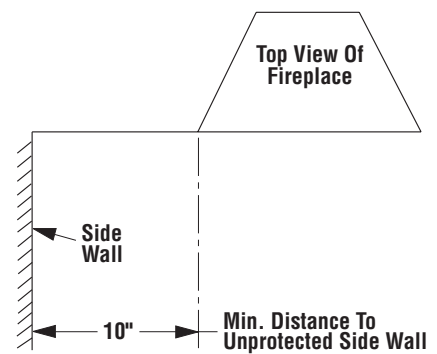
| Models | Efficiencies % | | | | | |
|--------|----------------|--------------|--------|---------|--------------|--------|
| | Natural Gas | | | Propane | | |
| | P4* | Steady State | AFUE** | P4* | Steady State | AFUE** |
| SYM-35 | 61.7 | 70.6 | 64.8 | 62.4 | 71.3 | 65.2 |
| SYM-40 | 60.7 | 70.7 | 64.3 | 61.2 | 72.1 | 64.6 |
| SYM-45 | 63.9 | 72.4 | 66.2 | 64.2 | 73.1 | 66.3 |

*Canadian Energuide Rating

**Annual Fuel Utilization Efficiency (AFUE) is the recognized U.S. rating system for the total efficiency of heating products.

Wall Details

Minimum dimensions to the fireplace are illustrated in the figure below.



Note: Diagrams, illustrations and photographs are not to scale - Consult Installation Instructions. Product designs, materials, dimensions, specifications, colors and prices are subject to change or discontinuance without notice.

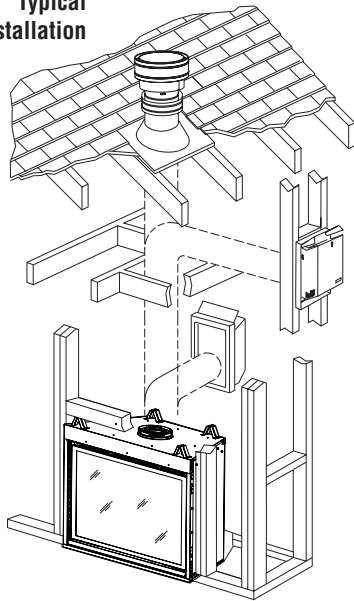
NOTE: DIAGRAMS & ILLUSTRATIONS NOT TO SCALE.

LENNOX
HEARTH PRODUCTS

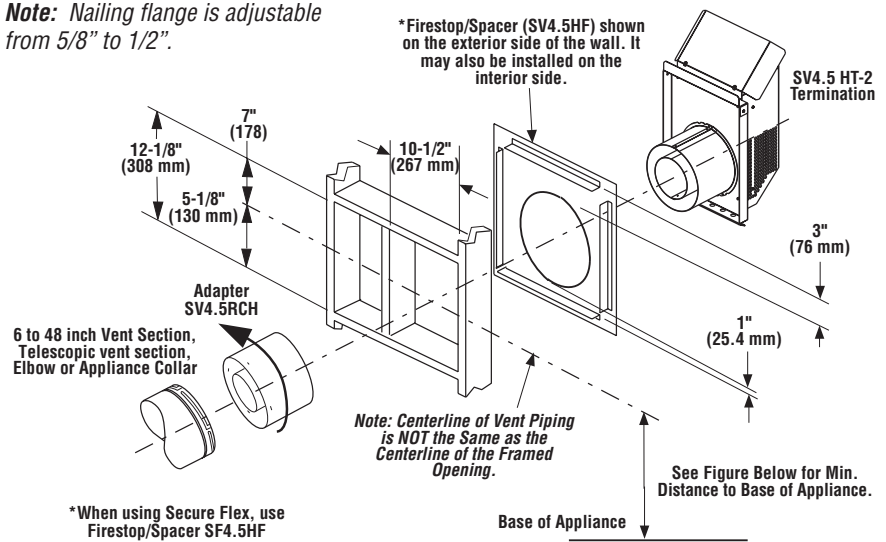
SYM-35/SYM-40/SYM-45

Framing Specifications

Typical Installation



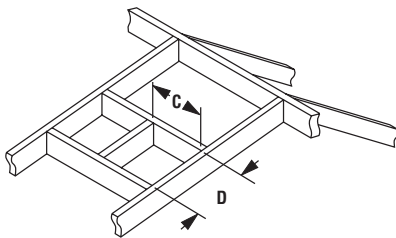
Note: Nailing flange is adjustable from 5/8" to 1/2".



Clearances To Combustibles

| | |
|--------------------------------|----------------------|
| BACK | 1 in. (25.4 mm) |
| SIDES | 1 in. (25.4 mm) |
| TOP SPACERS | 0 in. (0 mm) |
| FLOOR | 0 in. (0 mm) |
| From Bottom of Unit to Ceiling | 64 in. (1626 mm) |
| VENT | 1 in. (25.4 mm)* |
| SERVICE CLEARANCES | |
| FRONT | 3 Feet. (0.9 meters) |

* 3" above any horizontal vent component

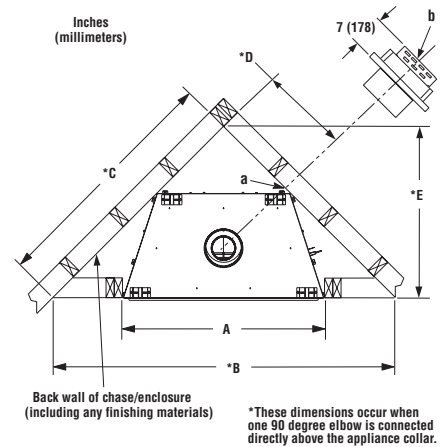
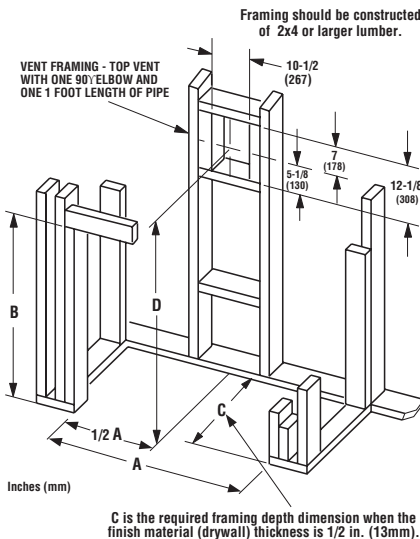


Framing Dimensions for Roof

| Pitch | C | D |
|-------|---------------------|---------------------|
| 0/12 | 10-1/2 in. (267 mm) | 10-1/2 in. (267 mm) |
| 6/12 | 10-1/2 in. (267 mm) | 12 in. (305 mm) |
| 12/12 | 10-1/2 in. (267 mm) | 17-3/4 in. (451 mm) |

Vent Clearances

| | Top | Sides | Bottom |
|------------|-------|-------|--------|
| Horizontal | 3 in. | 1 in. | 1 in. |
| Vertical | 1 in. | 1 in. | 1 in. |



Note: Venting requirements for rear vent applications in corner installations - the horizontal vent length "a" to "b," must not exceed 28 inches (711 mm)

| Model No. | A | B | C | D |
|-----------|-------------|---------|---------|--------|
| SYM-35 | in. 35 9/16 | 40 5/16 | 21 7/16 | 56 1/2 |
| | mm 903 | 1024 | 545 | 1435 |
| SYM-40 | in. 40 9/16 | 40 5/16 | 21 7/16 | 56 1/2 |
| | mm 1030 | 1024 | 545 | 1435 |
| SYM-45 | in. 45 9/16 | 40 5/16 | 21 7/16 | 56 1/2 |
| | mm 1157 | 1024 | 545 | 1435 |

| Model No. | A | B | C | D | E |
|-----------|-------------|--------|--------|---------|----------|
| SYM-35 | in. 35 3/16 | 63 5/8 | 45 | 15 7/16 | 31 13/16 |
| | mm 892 | 1143 | 1143 | 392 | 708 |
| SYM-40 | in. 40 3/16 | 68 5/8 | 48 1/2 | 17 1/4 | 34 3/8 |
| | mm 1021 | 1743 | 1232 | 438 | 873 |
| SYM-45 | in. 45 3/16 | 73 5/8 | 52 | 19 | 36 3/4 |
| | mm 1148 | 1870 | 1321 | 483 | 933 |

Note: All framing dimensions calculated for 1/2" drywall at the fireplace face. If sheathing the chase or finishing with other thickness materials, calculations will need to be made.



NOTE: DIAGRAMS & ILLUSTRATIONS NOT TO SCALE.