

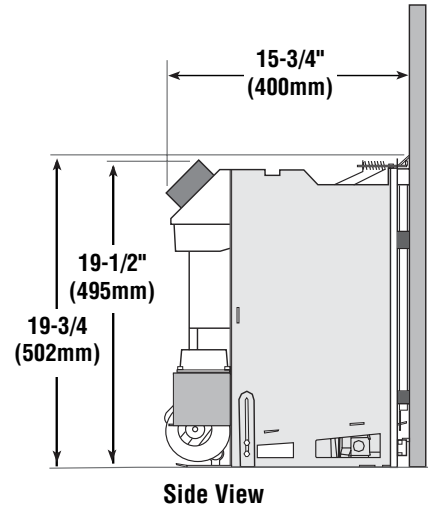
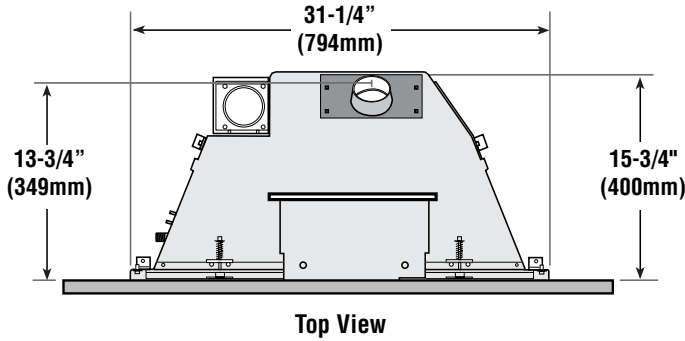
# Ravenna™

## Appliance Specifications

## DIRECT VENT FIREPLACE INSERT

## ELITE™ SERIES

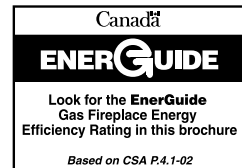
Insert Dimensions



The Ravenna™ fireplace insert is factory equipped for 40,000 BTU input and can be converted to 33,000 using the smaller orifice provided.

Insert Dimensions	
Width of insert behind Surround Panels	31-1/4" (794mm)
Rear height	19-3/4" (502mm)
Insert depth into fireplace	16" (406mm)
Flue collar diameter (OD)	2-15/16" (75mm)

Tested & Listed By  
**OTL**  
C J US  
OMNI-Test Laboratories, Inc.  
Beaverton Oregon USA  
Report No. 050-S-15c-5



Canadian EnerGuide Rating - NG-65.55%, LP-67.80%  
Steady-State Efficiency\*\* - 83% - 86%

\*\* Efficiency varies slightly with various pipe configurations.

This insert has been tested and certified by OMNI -Test Laboratories to ANSI Z21.88 / CSA 2.33 Standard for Vented Gas Fireplace Heater and CGA 2.17-M91 and UL 307B Gas Burning Heating Appliances for Manufactured (Mobile) Homes in both USA and Canada.

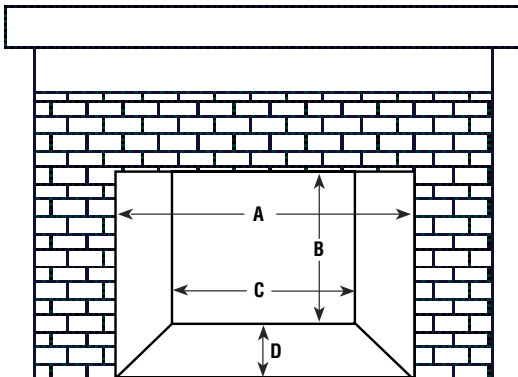
New York City, New York (MEA#: 138-07-E).  
Commonwealth of Massachusetts (G3-1104-102)

Fireplace Dimensions

Minimum Fireplace Opening	
A	31-1/4" (794mm) Front Opening
B	19-1/2" (495mm) Height
C	19" (483mm) Rear Width
D	16" (406mm) Fireplace Depth

\* Top air duct will need to be removed for short ZC applications. Replace tap tights when removed.

Listing Information



Input (BTU) - Millivolt Models		
Fuel	RDV40	RDV33
	Input Rate (BTU / HR)	
Natural Gas	40,000/28,000	33,000/24,000
Propane	37,500/26,000	33,000/24,000

*Note: Due to Lennox' ongoing commitment to quality, all specifications, ratings and dimensions are subject to change without notice.*

*Specifications and clearances are subject to change without notice. Refer to Installation and Operation Manual before installation of these appliances for updated dimensions and instructions.*



HEARTH PRODUCTS

# Ravenna™

Product Reference Information			
Cat. #	Model	Ship. Wt.	Ship. Volume
H6967	RAV33/40DVI-C	144 lb.	16.9 cu. ft.

### Decorative Faces (one required)

Traditional Arch inset  
Foundry™ Screen  
Cast pillar

### Misc. Options

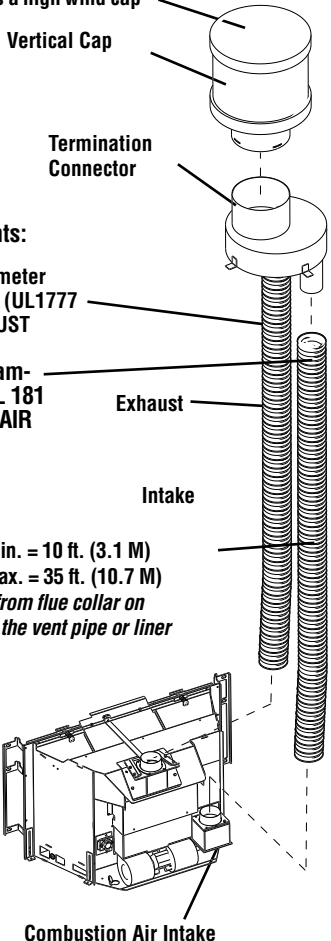
Remote Controls  
Digital Wall Thermostat  
Round Black On/Off Switch Cover Plate  
ZC Lower Finish Panel/Reg Face Support  
ZC Front Support Extension

### Surround Kits (one required)

- Traditional 1-pc. (41"W x 29"H)
- Traditional 3-pc. (41"W x 29"H, 48"W x 29"H, 41"W x 33"H or 48"W x 33"H)
- Cast Iron (45-1/2"W x 30"H-Cast Pillar face only)

- Realistic log set
- Heavy, 14-gage aluminized steel firebox construction
- Approved for zero-clearance (metal) and masonry fireplaces
- Operates without power – still heats during a power outage
- Standard 155-CFM variable-speed blower delivers warm, consistent heat

The standard cap in Termination Kit, TKDVI, is a high wind cap

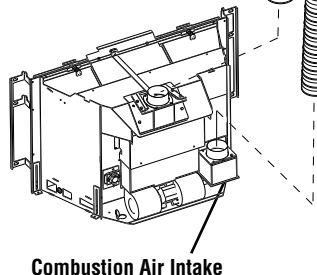


### Liner Requirements:

Use 3" (76 mm) diameter listed gas vent liner (UL1777 ONLY) for the EXHAUST

Use 3" (76 mm) diameter listed liner (UL 181 or UL1777) for the AIR INTAKE.

Vertical Height Min. = 10 ft. (3.1 M)  
Vertical height Max. = 35 ft. (10.7 M)  
*Note: Measured from flue collar on unit to the end of the vent pipe or liner*

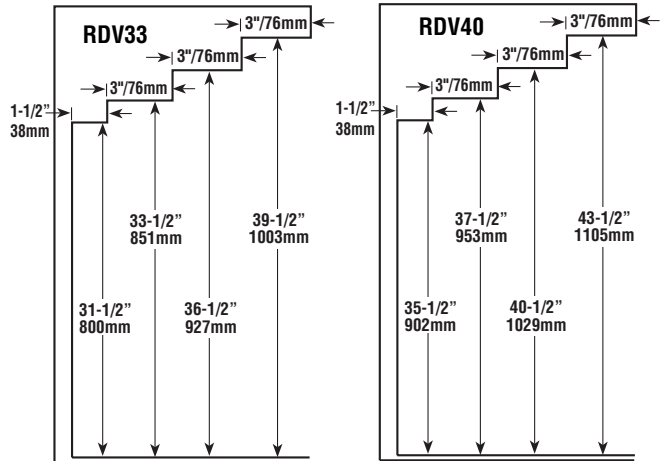


Combustion Air Intake

## Vent Kits

Vent Kits		
Cat. No.	Model	Description
H0909	FKDVI	Flex Liner Kit, DVI 3" X 35' (requires 2, one for exhaust and one for intake)
TKDVI	TKDVI	Termination Kit, DVI (termination cap and flashing)
DV3FK35	DV3FK35	Flex Liner and Termination Kit, 3" X 35' (includes 2 flex liners, termination and gear clamps)

## Facing and Mantel Clearances

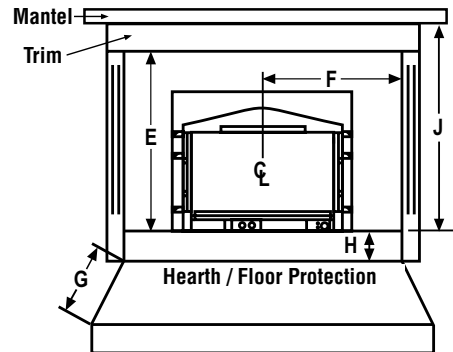


## Options

## Standard Features

## Typical Installation

## Insert Clearances



- E = From Top Facing or Mantel to Bottom of Insert - RDV40 = 35-1/2" (902mm) and RDV33 = 31-1/2" (800mm)  
F = 25-1/2" From Center of Glass Door to Side Facing or Wall - RDV40 = 25.5" (648mm) and RDV33 = 25.5" (648mm)  
J = 10.5" (267mm) Mantel to Bottom of Insert - RDV40 = 43" (1092mm) and RDV33 = 39" (991mm)

### HEARTH PROTECTION

- G = Minimum Hearth Protection from Front of Insert\*  
H = Vertical Distance from Insert Bottom to Combustible Material.

RDV40	G	14" (356mm)	10" (254mm)	0" (0mm)
	H	0" (0mm)	2" (21mm)	4" (102mm)
RDV33	G	13" (330mm)	10" (254mm)	0" (0mm)
	H	0" (0mm)	2" (21mm)	4" (102mm)