

# MPB35ST

## Appliance Specifications

Millivolt Models	Electronic Models
MPB35ST-NM	MPB35ST-NE
MPB35ST-PM	

SPECIFICATIONS	
Natural Gas BTU Input	30,000
Propane Gas BTU Input	28,000
B-Vent Size	5 in. (127 mm)

### NOTES

Due to Lennox' ongoing commitment to quality, all specifications, ratings and dimensions are subject to change without notice.

### PRODUCT REFERENCE INFORMATION

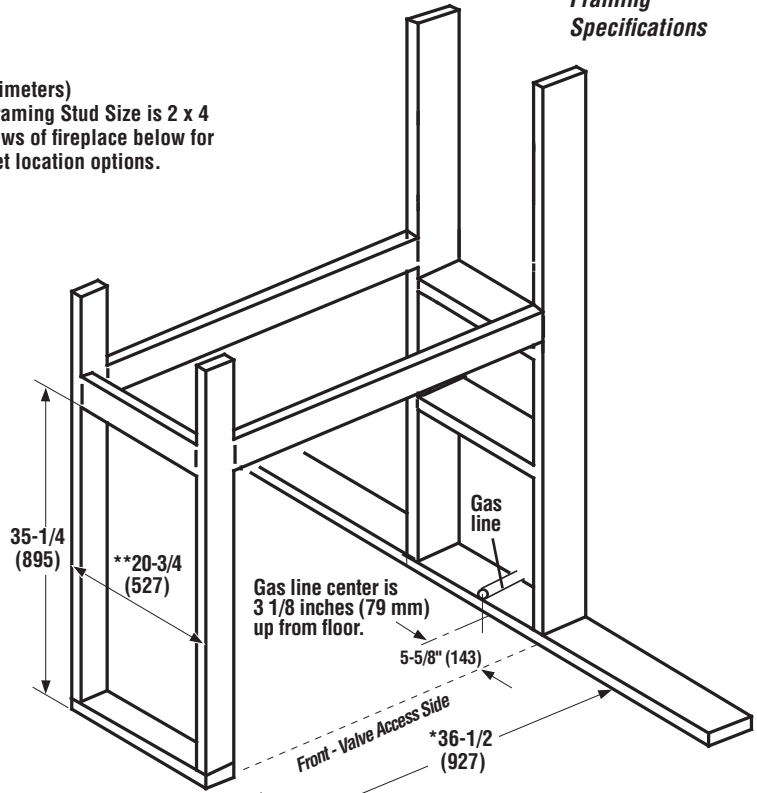
Cat. No.	Model	Ship Weight	Ship Volume
H3204	MPB35ST-NM	200 lbs	46W x 26D x 43H (30 cu.ft.)
H3205	MPB35ST-PM	200 lbs	46W x 26D x 43H (30 cu.ft.)
H3206	MPB35ST-NE	200 lbs	46W x 26D x 43H (30 cu.ft.)

### EFFICIENCIES

<b>ENERGUIDE</b>	22 % Natural Gas
	23 % Propane Gas

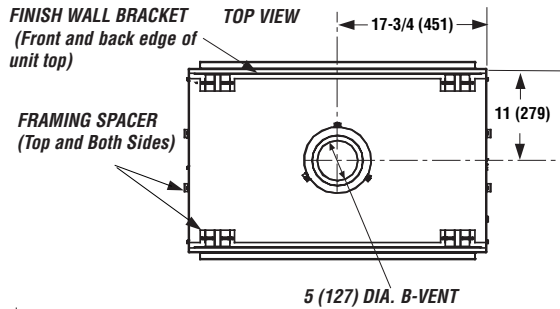
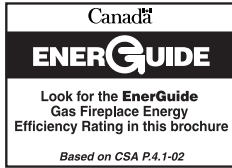
- Notes:
- Inches (millimeters)
  - Minimum Framing Stud Size is 2 x 4
  - See side views of fireplace below for gas line inlet location options.

### Framing Specifications

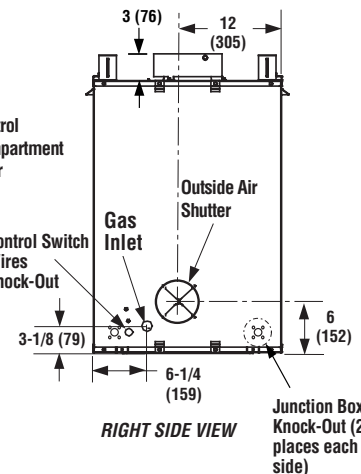
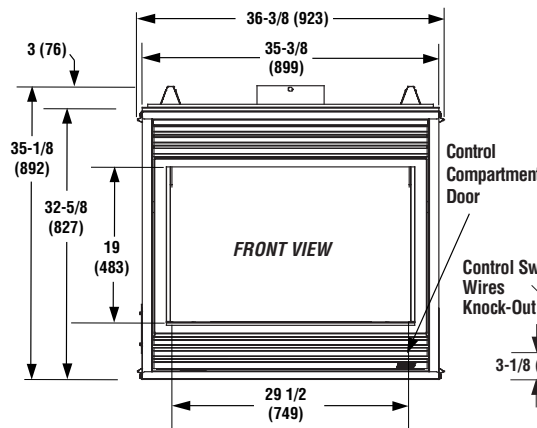
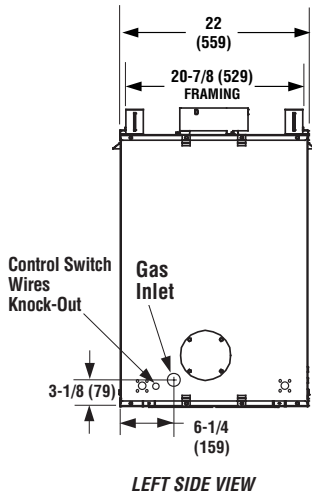


\*\* This dimension based on 5/8" drywall. For 1/2" drywall use 21" (533 mm). The finished dimension should be 22" (558 mm).

\* This dimension does not include the addition of drywall to the inside of framing. Adjust accordingly for your installation.



### Fireplace Dimensions



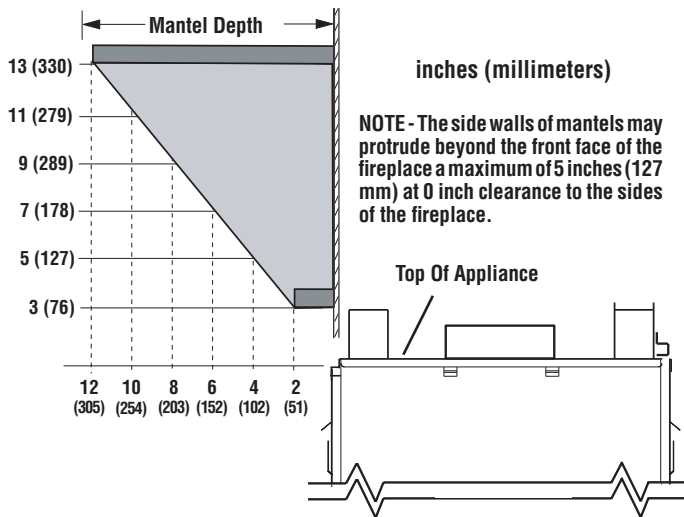
# MPB35ST

## Appliance Clearances

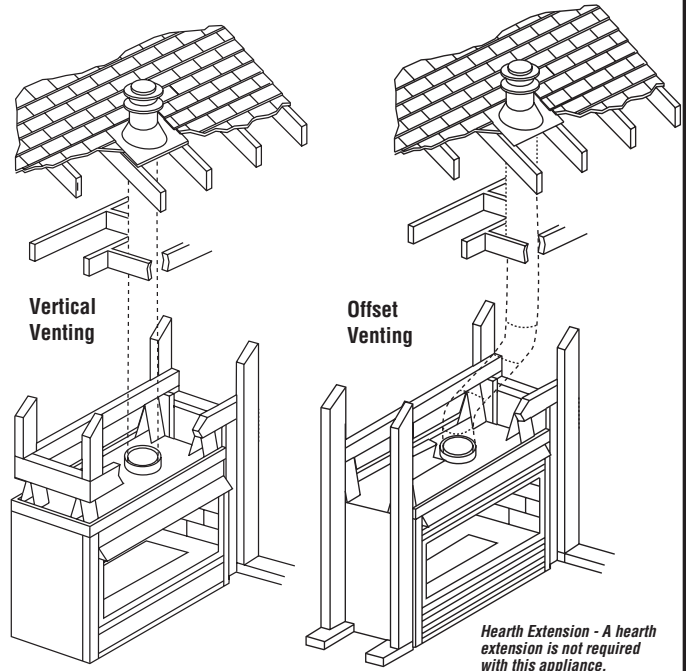
### B-VENT SEE-THROUGH MERIT® PLUS SERIES

**Millivolt Models**    **Electronic Models**  
MPB35ST-NM    MPB35ST-NE  
MPB35ST-PM

#### Minimum Mantel Clearances



#### Typical Installations



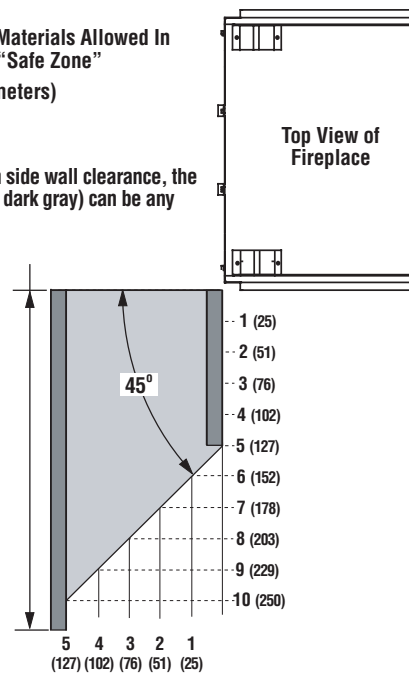
Specifications and clearances are subject to change without notice. Refer to Installation Manual before installation of these appliances for updated dimensions and instructions.

MINIMUM CLEARANCES Inches (millimeters)	
Sides	1/2 (13)
Top Spacers	0 (0)
Floor	0 (0)
Bottom of Appliance To Ceiling	72 (1829)
Vent	1 (25.4)
SERVICE CLEARANCES Feet (meters)	
Front & Back Faces	3 ft. (0.9 m)

#### Minimum Distance to Unprotected Side Wall

Combustible Materials Allowed In  
Shaded Area "Safe Zone"  
Inches (millimeters)

At 5" minimum side wall clearance, the  
wall (shown in dark gray) can be any  
length.



#### Minimum Side Clearances

