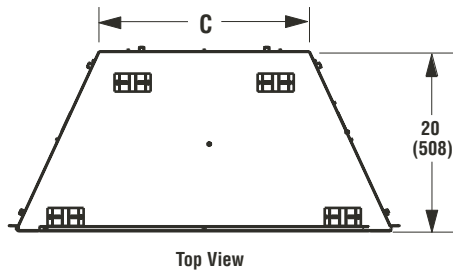


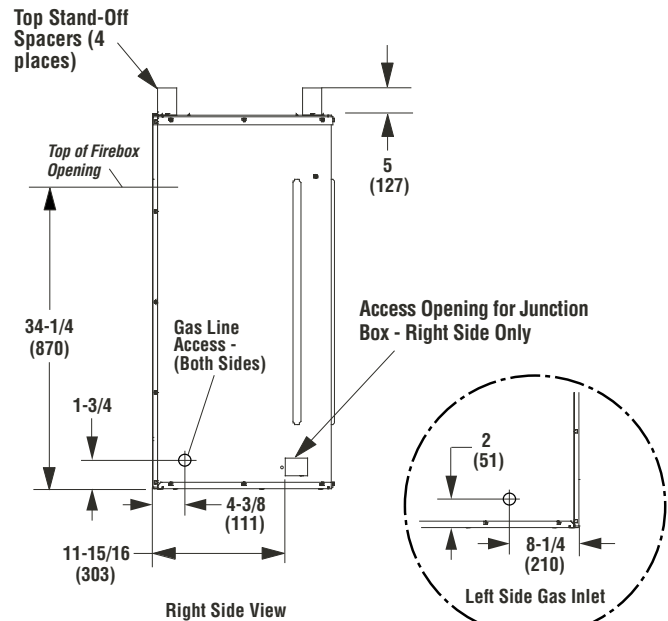
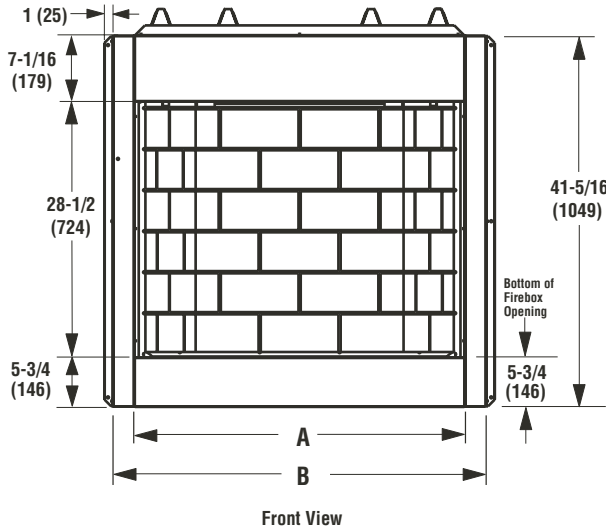
# E360DG & E420DG OUTDOOR GAS FIREPLACE

## Appliance Specifications



Dimensions - Inches (millimeters)			
Model No.	A	B	C
E360DG	37 (940)	41-3/4 (1061)	23-1/2 (597)
E420DG	43 (1092)	47-3/4 (1213)	29-1/2 (749)

Weight And Volume		
Model	Ship. Weight (lbs)	Shipping Volume
E360DG	200 lbs	35 Cu. Ft.
E420DG	230 lbs	38 Cu. Ft.



## Firebox Finishes

There are a wide variety of "finished looks" for your outdoor fireplace, from formal wall decor with elaborate mantels to rustic wood paneling or warm brick facings.

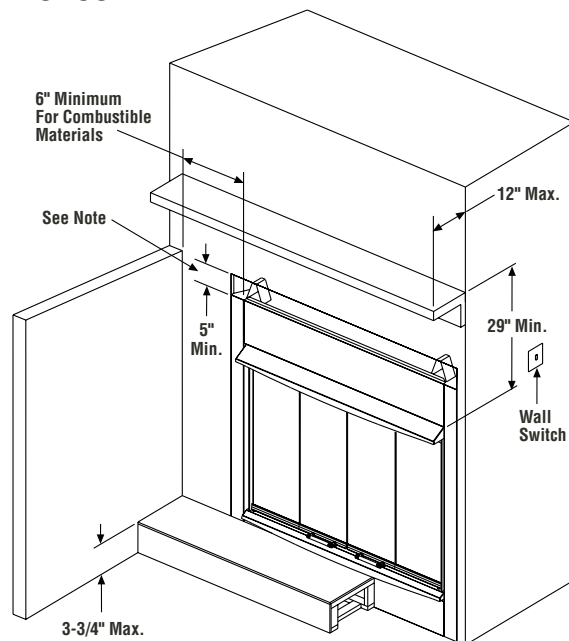
Only noncombustible materials like marble, stone, tile, brick, etc. may overlap the front facing. Seal all joints between the black facing and wall surrounds to prevent air intrusion. Use noncombustible caulking materials only to seal the metal facing to the surround material on the finished wall. See Figure.

**CAUTION: DO NOT BLOCK THE FACE OPENING ON THESE FIREBOXES. DOING SO MAY CREATE A POTENTIAL FIRE HAZARD.**

**Note:** The Lennox Elite® Series Outdoor Gas Fireplace is designed for outdoor use. It may also be installed in screened porches and lanais that meet these minimum requirements:

Minimum porch area - 96 square feet  
Minimum ceiling height - 7 feet 8 inches

A minimum of two (2) walls can be screened but must be open to outside ventilation.  
Minimum screen area - 64 square feet  
Minimum screen top height - 6 feet 8 inches



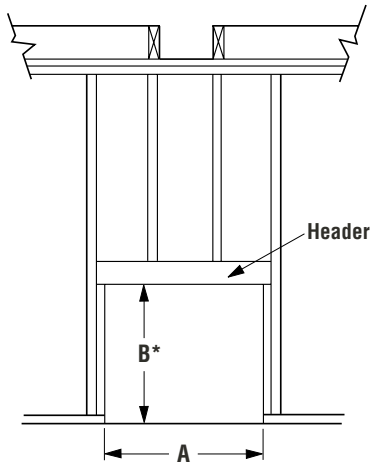
Note: The Area Above The Face To The Top Of The Spacers Must Be Non-Combustible Materials



HEARTH PRODUCTS

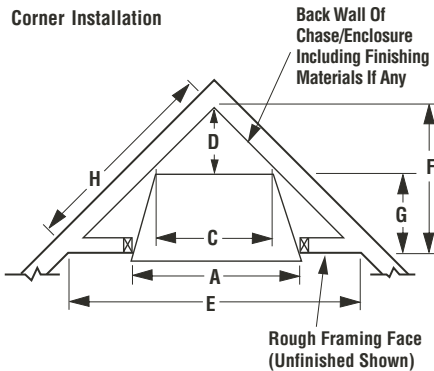
# E360DG & E420DG OUTDOOR GAS FIREPLACE

## FRAMING SPECIFICATIONS

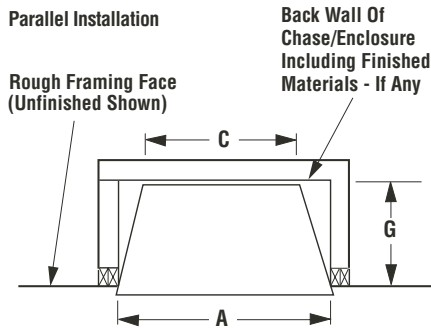


\* Increase Framing Height By 3/4" When Using Optional Drain Pan

### Corner Installation

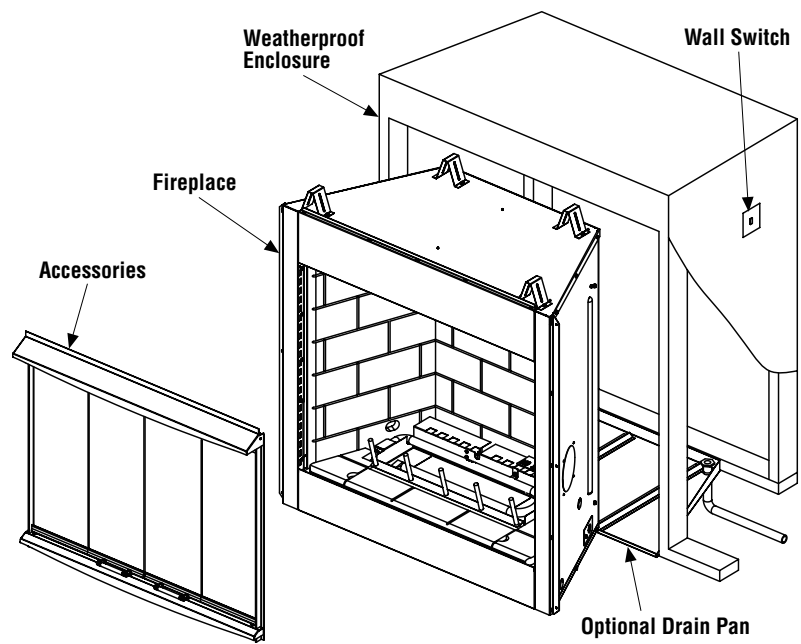


### Parallel Installation

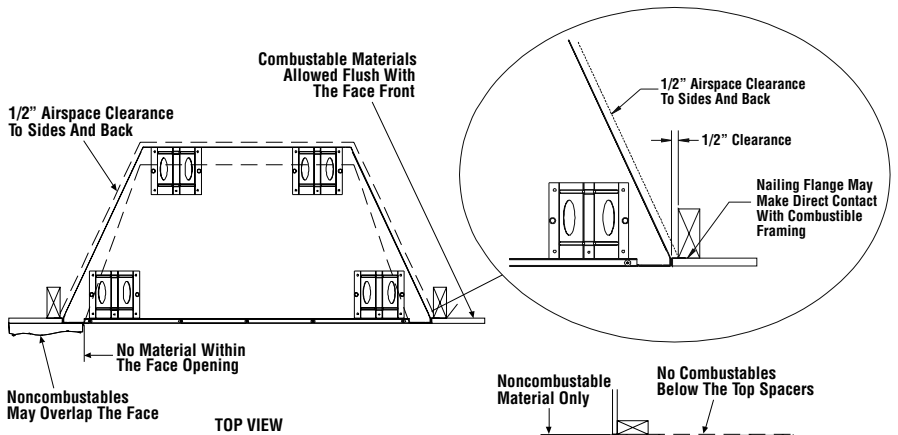


Opening	E360DG	E420DG
A	42-3/4" (1086)	48-3/4" (1238)
B	46-1/2" (1181)	46-1/2" (1181)
C	23-9/16" (599)	29-9/16" (751)
D	11-1/4" (286)	14-1/4" (362)
E	63-1/2" (1613)	69-1/2" (1765)
F	31-3/4" (807)	34-3/4" (883)
G	20-1/2" (521)	20-1/2" (521)
H	44-3/16" (1122)	49-1/8" (1248)

## TYPICAL INSTALLATION



## CLEARANCES



Minimum clearance to combustibles for the fireplace is as follows; sides and back – 1/2" (13mm), combustible floor – 0" (0mm), adjacent wall 6" (152mm), ceiling – 50" (1270mm).

**Note:** Adjacent wall considerations are for an adjacent wall on only a single side. Walls should not be placed at minimum distance at both sides of the fireplace. Allow at least 4 feet on the side of the fireplace.

