

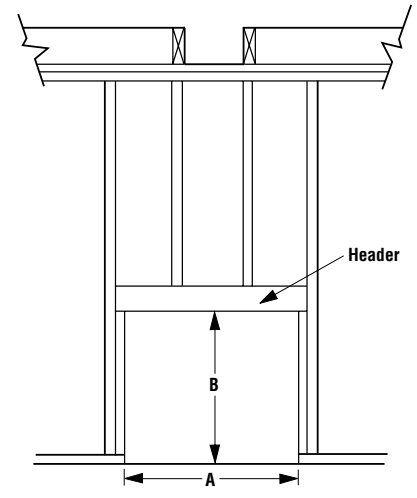
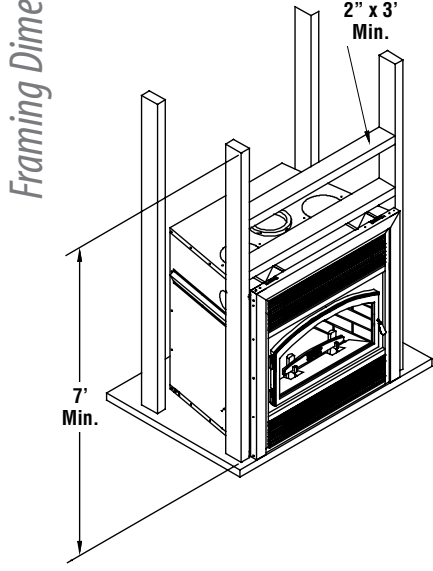
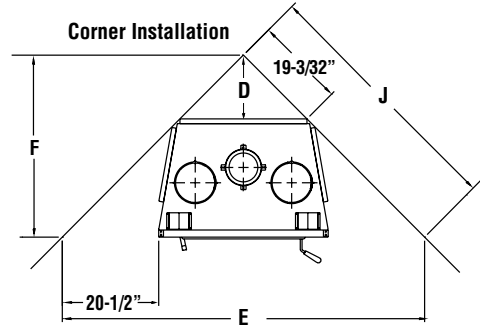
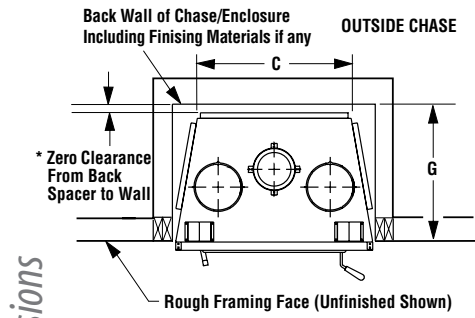
Brentwood™

Wood Fireplaces Specifications

PRODUCT REFERENCE INFORMATION	
Model: Brentwood SP, Cat. No. H4826	
Weight	385 lbs
Height	36"
Width	36"
Depth	24-1/2"
Firebox W x H x D measured in front	22" x 11-3/4" x 12"
Chimney weight ASHT (6" dia)	6.25 lb/ft.
Chimney weight AC (6" dia)	3.25 lb/ft.

FRAMING DIMENSIONS Fireplace Opening Width		
A	36-3/8"	924 mm
B	37"	940 mm
C	30-1/8"	765 mm
D	13-1/2"	343 mm
E	77"	1956 mm
F	38-1/2"	978 mm
G	*24-1/2"	603 mm
J	54-7/16"	1383 mm

* Total depth is 25 inches including the back spacer minus 1/2 inch for drywall to be flush with the facing.

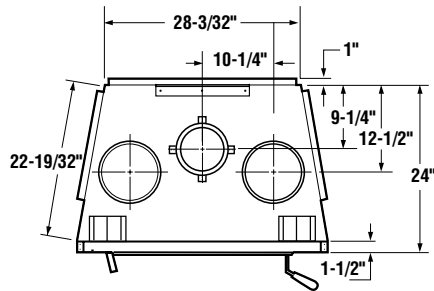


Listing Information



These fireplaces have been tested and listed by ITS - Listing mark, Warrnock Hersey to ULC-S610 & UL-127.

Report No. 3011202
EPA Cert. No. 537



Notes
Due to Lennox' ongoing commitment to quality, all specifications, ratings and dimensions are subject to change without notice.
All framing dimensions calculated for 1/2" dry wall at the fireplace face. If sheathing the chase or finishing with other thickness materials, calculations will need to be made.
* The fireplace must not be in contact with any insulation or loose filling material. Cover the insulation with Drywall panels around the fireplace.

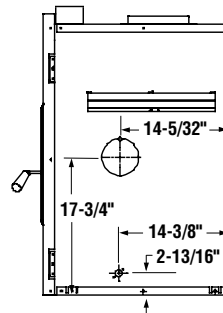
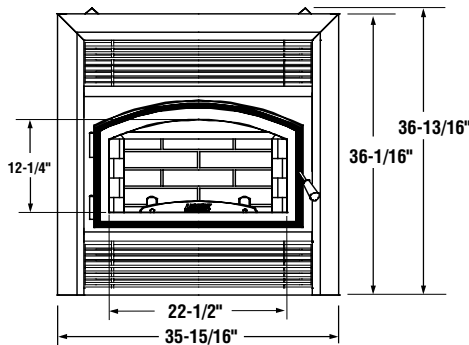
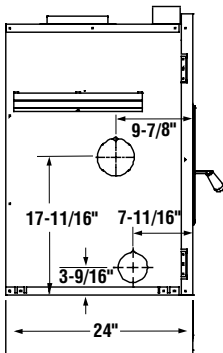
PARTS REQUIRED

- 6" diameter chimney - Model ASHT, S-2100+, HT6000+, HT6103+ or AC manufactured by Security Chimneys International only, including:
 - Chimney lengths
 - Elbows (where necessary)
 - Associated components as per installation instructions manual
- Decorative Door - Required (Order Separately)
 - Available in black, gold or brushed nickel
- Outside air kit (Included)

OPTIONAL EQUIPMENT

- Additional Equipment
 - AC Chimney Adaptor (required if using AC Chimney)
 - AC chimney outside air kit
 - Gravity venting system
 - Panel for clean face option (only with gravity venting system)
 - Rigid firescreen
 - UZ5 Fireplace Blower Kit
 - VRUW Blower Speed Control

Fireplace Dimensions

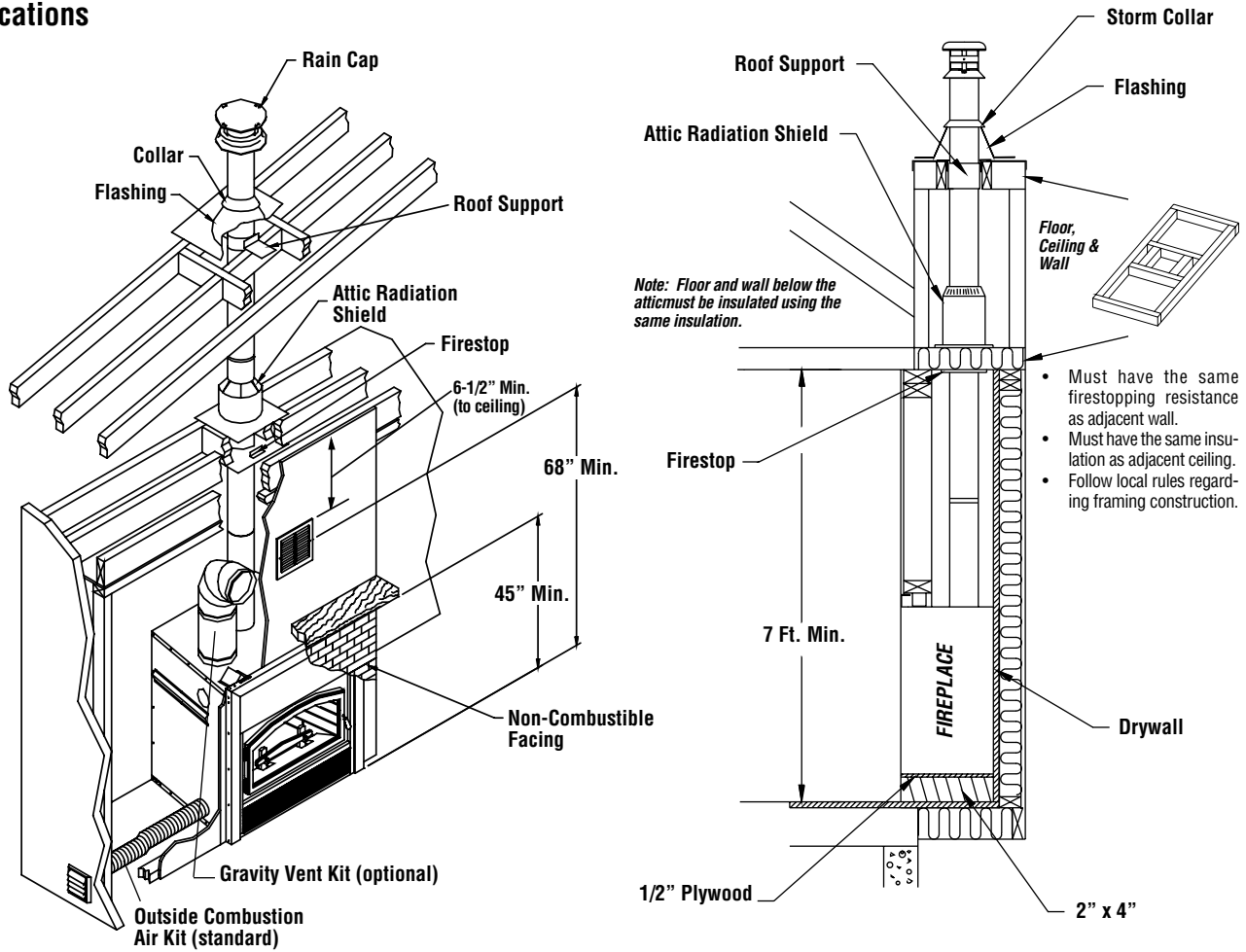


HEARTH PRODUCTS

Brentwood™

Wood Fireplaces Specifications

Typical Installations



CLEARANCE TO COMBUSTIBLES

The following clearances meet the minimum requirements for a safe installation:

Side wall: 17" (324 mm) measured from the fireplace side.

Ceiling: 6' 8" (2032 mm) measured from the base of the fireplace.

Fireplace enclosure:
Bottom: 0"
Side: 0"
Back: 0"

Top: Do not fill the space above the fireplace with any material (Except the wood framing)

Chimney: 2" (50 mm)

Mantel: 45" (1143 mm) measured from the base of the fireplace.

Combustible Clearances

