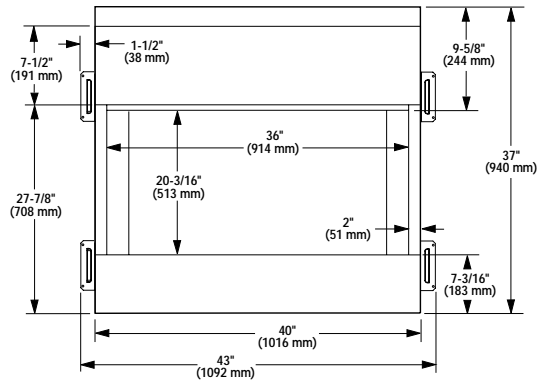
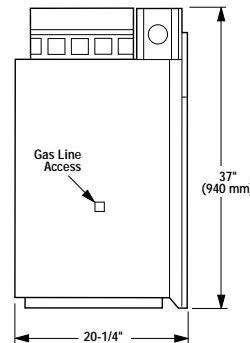


BR-36 / BC-36

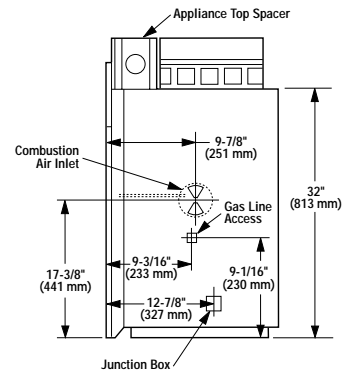
Appliance Specifications



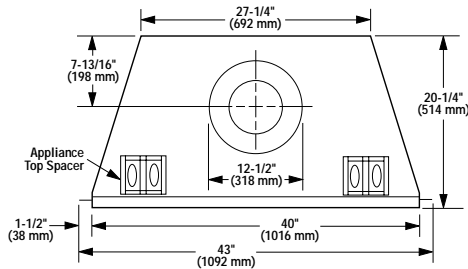
Front (BC Model Shown)



Left Side



Right Side



Top View

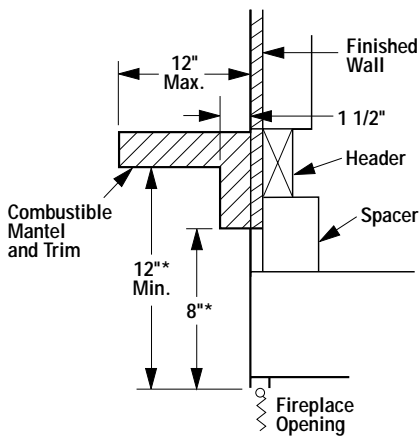
Shipping Weight
BR/BC-36 175 lbs.

Note: All specifications, ratings and dimensions are subject to change without notice.

Fireplace Finishes

Mantels And Trim

Combustible mantels and trim may be installed 12" (305 mm) above the fireplace opening as per NFPA 211; Section 7-2.3.3. and the Mantel limitation diagram. If a mantel is of a noncombustible material, it is exempt from these requirements as long as it does not interfere with the installation or operation of glass doors.

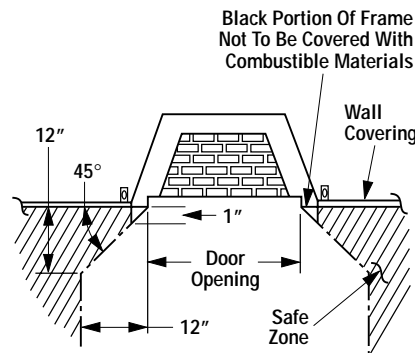


*Both Of These Dimensions Must Be At Least 18" When An Unvented Gas Log Set Rated At 26,000 BTU Or Higher Is Used. (Maximum 40,000 BTU)

Typical Installation

Vertical Surround Limitations

Combustible materials may project beyond the sides of the fireplace opening as long as they are kept within the shaded areas illustrated in the diagram below.

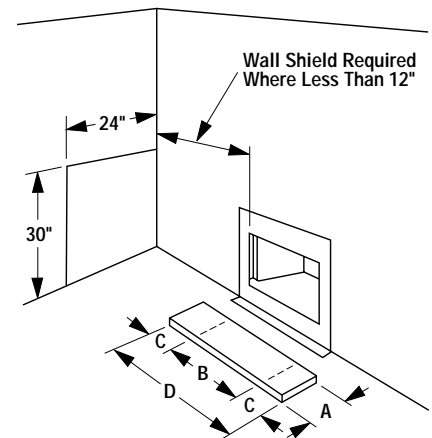


Hearth Extension Dimensions

A	16" (406 mm)
B	35" (889 mm)
C	8" (203 mm)
D	51" (1295 mm)

Hearth Extensions & Wall Shields

A hearth extension must be installed with all fireplaces. Its purpose is twofold. It protects a combustible floor in front of the fireplace from both radiant heat and sparks and it distinguishes the prescribed hearth extension area from other non-protected surfaces.

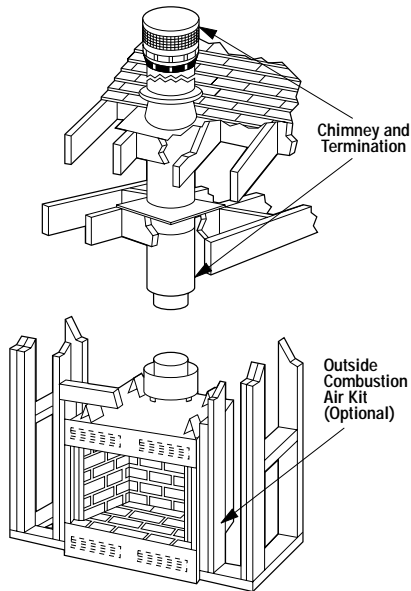


NOTE: DIAGRAMS & ILLUSTRATIONS NOT TO SCALE.

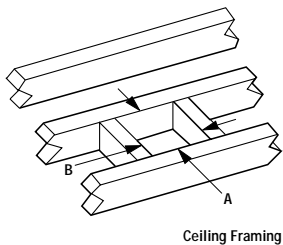
BR-36 / BC-36

Framing Specifications

Typical Installation



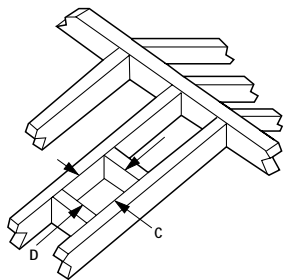
Radiant Model Shown



Ceiling Framing

Framing Dimensions for Ceiling

Flue Type	A	B
FTF8 Vertical	16 1/2"	16 1/2"
FTF8 Offset 30°	16 1/2"	25"



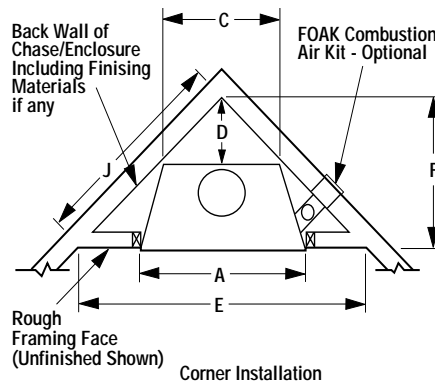
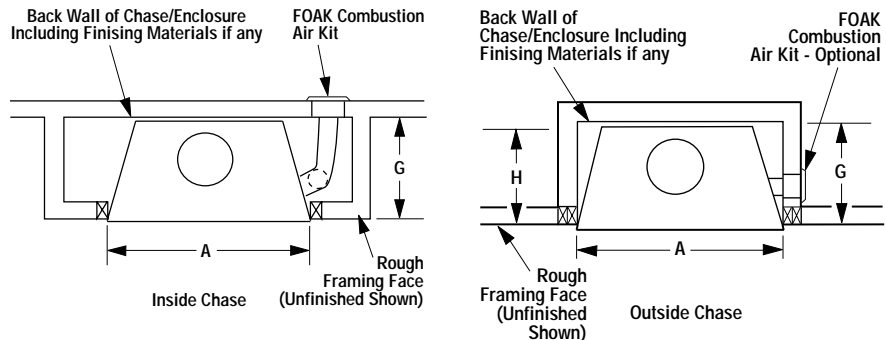
Roof Framing

Framing Dimensions for Roof

Pitch	C	D*
0/12	16 1/2"	16 1/2"
6/12	16 1/2"	19"
12/12	16 1/2"	23 1/2"

* Perpendicular to roof ridge

Note: All framing dimensions calculated for 1/2" dry wall at the appliance face. If sheathing the chase or finishing with other thickness materials, calculations will need to be made.

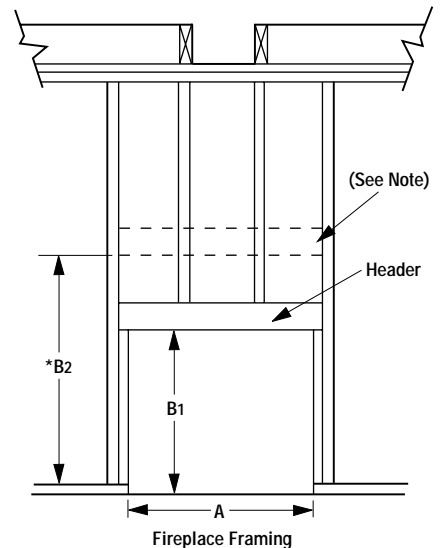


Corner Installation

Framing Dimensions

A	42 1/4"	1073 mm
B1	37 1/2"	953 mm
B2	54 1/2"	1384 mm
C	28 3/4"	730 mm
D	15 3/8"	391 mm
E	70"	1778 mm
F	35"	889 mm
G	20 5/8"	524 mm
H	19 5/8"	498 mm
J	49 1/2"	1257 mm
K	8"	203 mm

Note: All framing dimensions calculated for 1/2" dry wall at the fireplace face. If sheathing the chase or finishing with other thickness materials, calculations will need to be made.



*Note: When Framing With 6" Studs Header Must Be 17" (432mm) Higher. Use Security Chimney's OR15 Offset/Return Elbow To Recess The Chimney Back 2 1/2" (64mm). Flat Frame Down To A False Header At (B1). Maintain Required Clearance To Chimney At All Times.

SUPERIOR

NOTE: DIAGRAMS & ILLUSTRATIONS NOT TO SCALE.