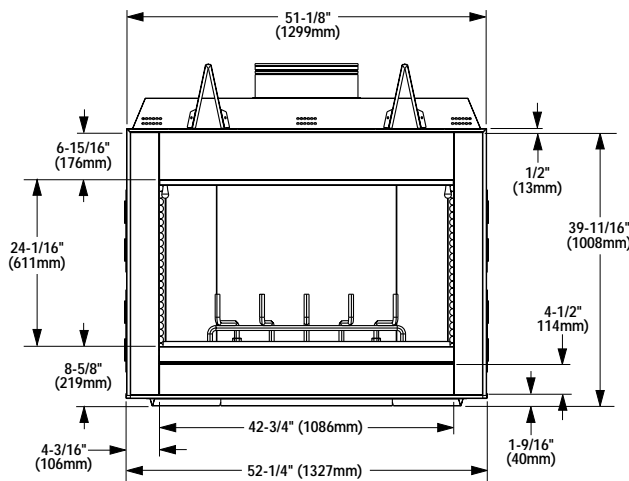
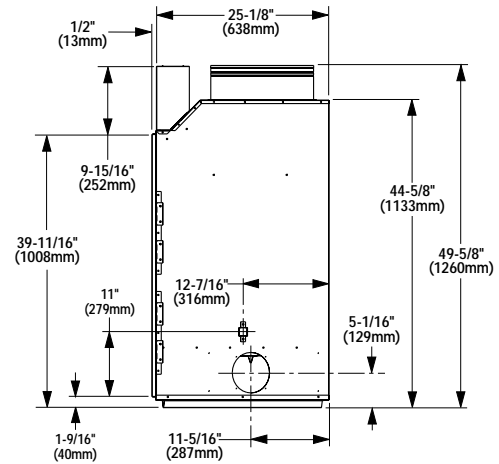


OASIS™ LSO-43 OUTDOOR FIREPLACE

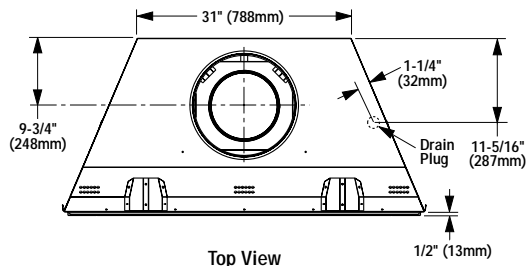
Appliance Specifications



Front View



Side View (Left)



Top View

Fireplace Information

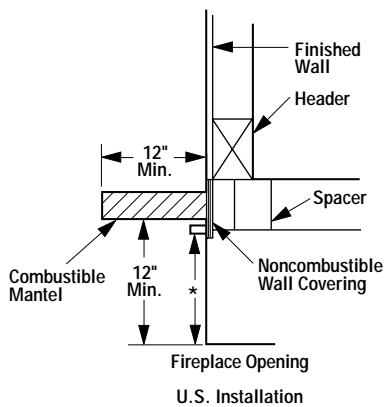
Model	Catalog Number	Weight
LSO-43	H0303	270 lbs.
LSO-43-H	H0304	270 lbs.

Note: All specifications, ratings and dimensions are subject to change without notice.

Fireplace Finishes

Mantels And Trim

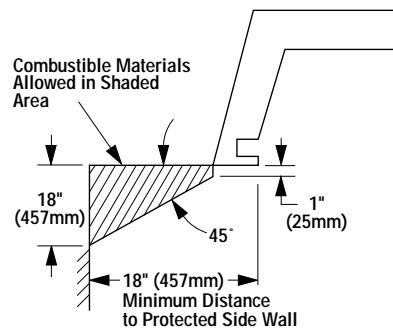
If a mantel is on a non-combustible material, it is exempt from these requirements as long as it does not interfere with the installation or operation of glass doors.



* A 1-1/2" Projection Is Permitted Between The Face Top And Mantle, 8" Minimum Above Door Opening

Surrounds

Combustible materials may project beyond the sides of the fireplace opening as long as they are kept within the shaded areas illustrated in the diagram below.



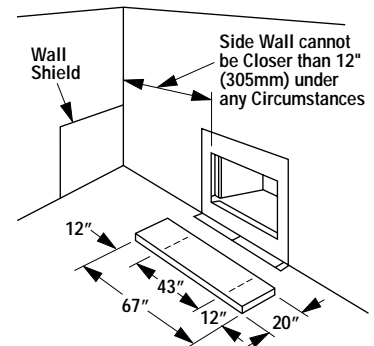
OMNI-Test Laboratories, Inc.

OTL Report No. 116-F-01-2

Hearth Extensions & Wall Shields

A hearth extension must be installed with all fireplaces. Its purpose is twofold. It protects a combustible floor in front of the fireplace from both radiant heat and sparks and it distinguishes the prescribed hearth extension area from other non-protected surfaces.

The hearth extension must extend beyond the front at least 20" and both sides at least 12". If the fireplace is installed on a combustible floor, use the metal safety strips (provided) on the floor extending half under the fireplace and half under the hearth extensions.



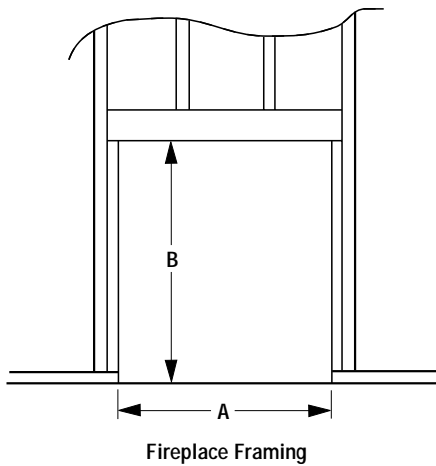
NOTE: DIAGRAMS & ILLUSTRATIONS NOT TO SCALE.



HEARTH PRODUCTS

OASIS™ LSO-43 OUTDOOR FIREPLACE

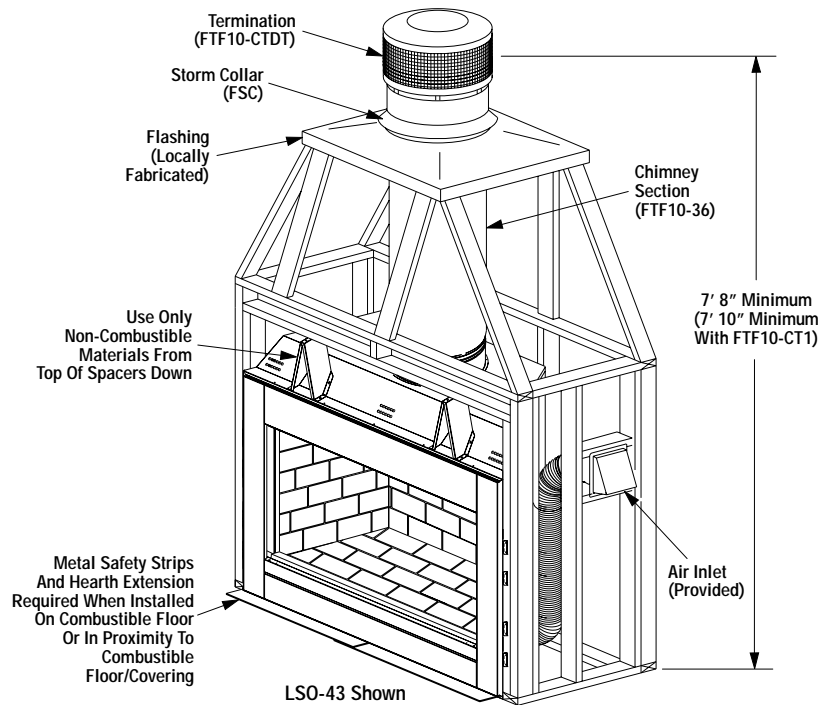
Framing Specifications



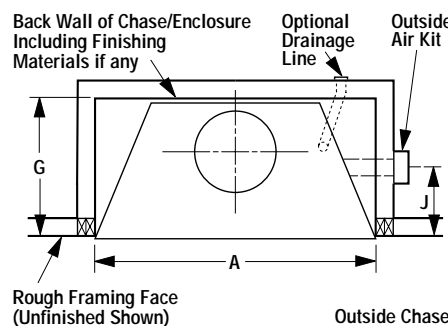
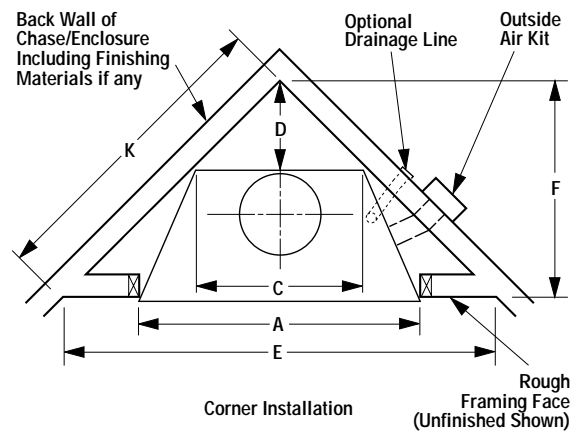
Fireplace Opening Width	
LSO-43	
A	52-7/8" (1343 mm)
B	50" (1270 mm)
C	31-3/4" (806 mm)
D	15-7/8" (403 mm)
E	82" (2083 mm)
F	41" (1041 mm)
G	25-5/8" (651 mm)
J	13-7/8" (352 mm)
K	58" (1473 mm)

Note: All framing dimensions calculated for 1/2" dry wall at the fireplace face. If sheathing the chase or finishing with other thickness materials, calculations will need to be made.

Typical Installation



NOTE: Framing is shown as reference only. It can differ according to design and local building codes.



Note: Framing dimensions are calculated for a nailing flange depth of 1/2".

NOTE: DIAGRAMS & ILLUSTRATIONS NOT TO SCALE.

