

MP-360D

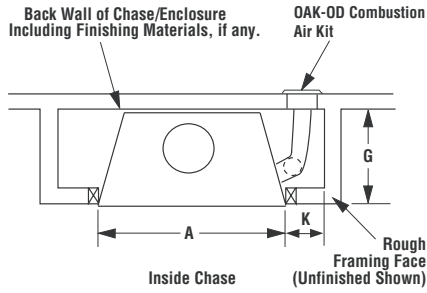
Appliance Specifications

Product Reference Information			
Cat. No.	Model	Ship. Weight	Ship. Volume
H1933	MP-360D	175 lb.	17.3 cu. ft.

Framing Dimensions		
A	41-1/2"	1054 mm
B ₁	37-1/2"	953 mm
B ₂	54-1/2"	1384 mm
C	28-3/4"	730 mm
D	15-3/8"	391 mm
E	70"	1778 mm
F	35"	889 mm
G	20-5/8"	524 mm
H	19-5/8"	499 mm
J	49-1/2"	1257 mm
K	8"	203 mm

Notes	
Due to Lennox' ongoing commitment to quality, all specifications, ratings and dimensions are subject to change without notice.	
All framing dimensions calculated for 1/2" dry wall at the fireplace face. If sheathing the chase or finishing with other thickness materials, calculations will need to be made.	
See <i>Installation Instructions Manual</i> for Ceiling and Roof Framing Dimensions.	
Diagrams & Illustrations Not to Scale	

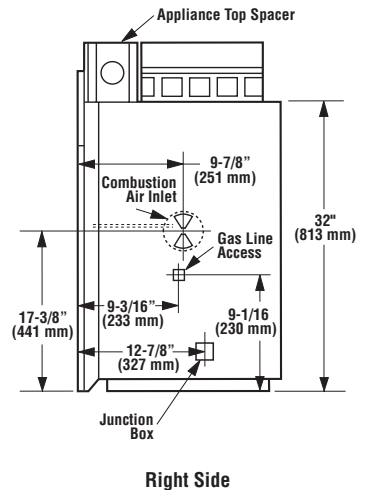
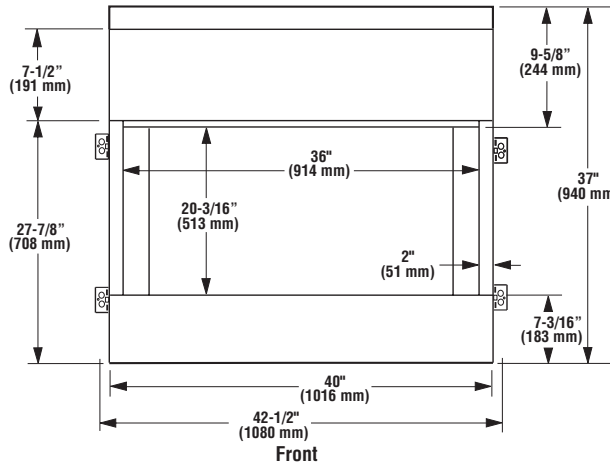
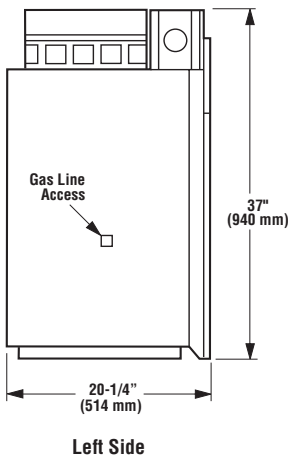
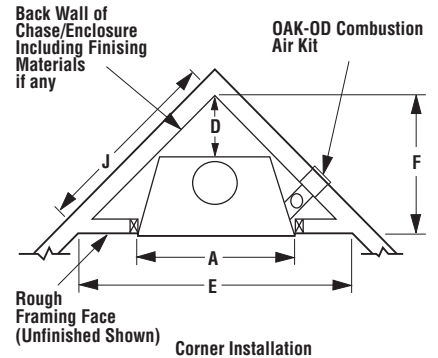
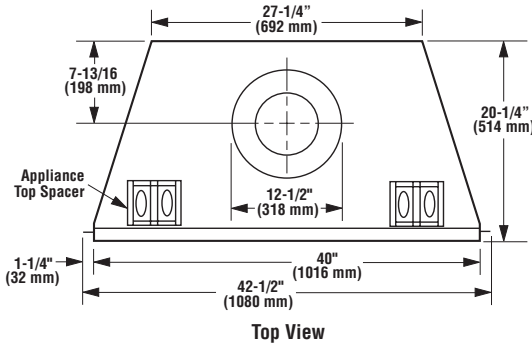
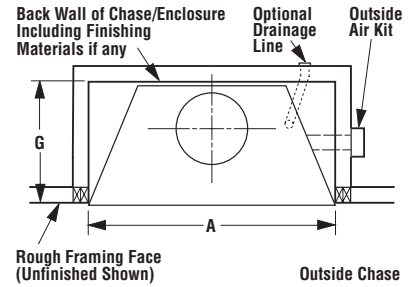
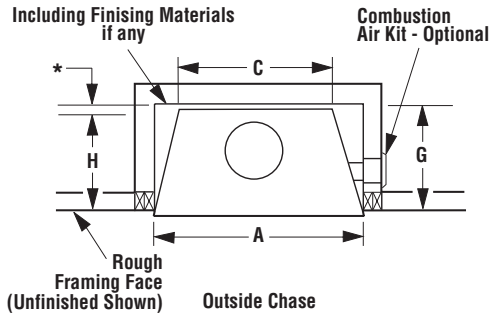
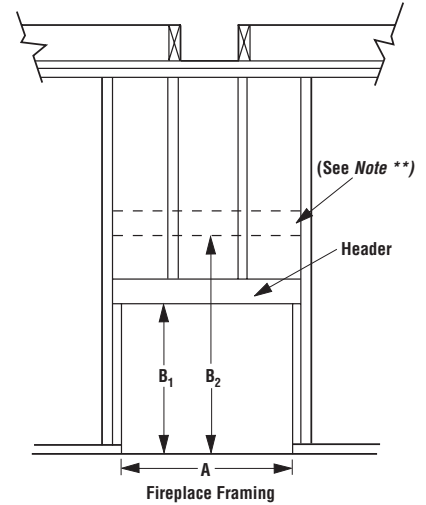
Tested & Listed By  Beaverton Oregon USA
 OMNI-Test Laboratories, Inc.
 OTL Report No. 116-F-35-2



Outside Chase - Indoor Installations

****Note:** When Framing With 6" Studs Header Must Be 17" (432mm) Higher. Use Security Chimney's OR15 Offset/Return Elbow To Recess The Chimney Back 2 1/2" (64mm). Flat Frame Down To A False Header At (B₁). Maintain Required Clearance To Chimney At All Times.

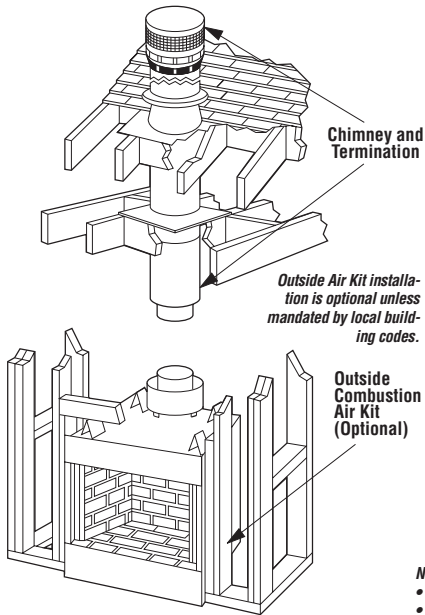
* 1" Air Space to insulation & construction materials on back and sides.



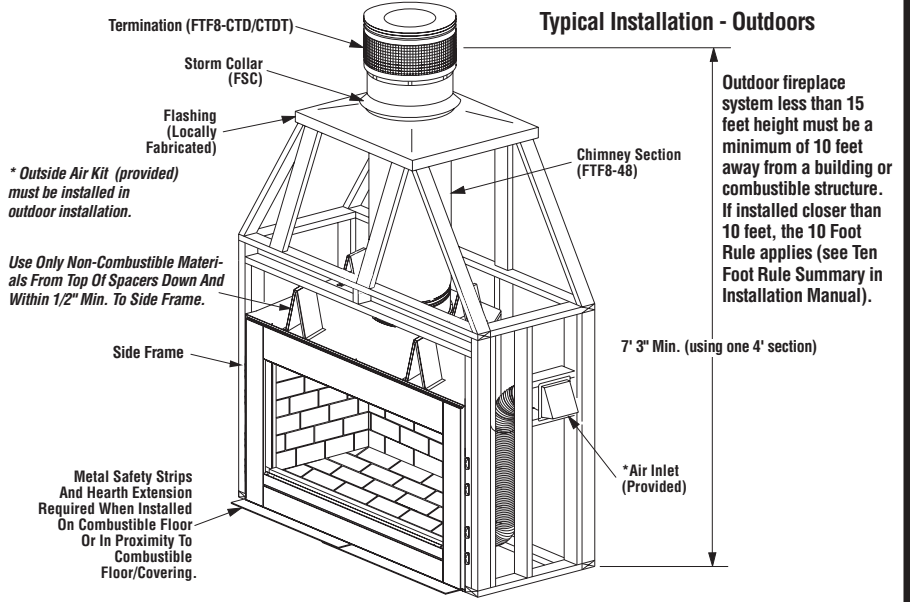
MP-360D

TYPICAL FRAMING INSTALLATIONS

Typical Installation - Indoors



Typical Installation - Outdoors

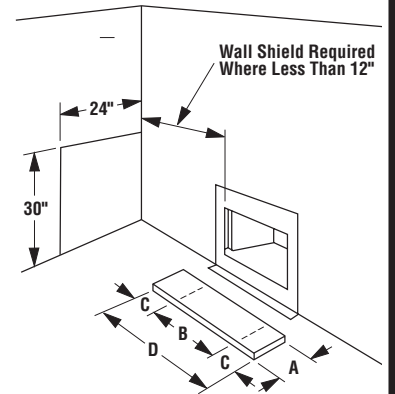
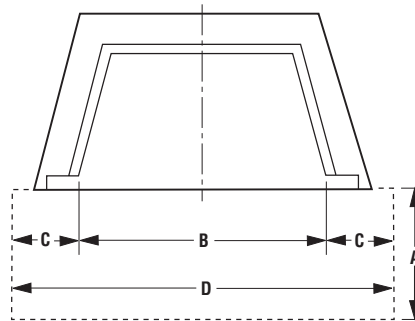


Notes:
 • Framing is shown as reference only. It can differ according to design and local building codes.
 • Fireplace is shown for illustration purposes only. It may differ from actual model.

Hearth Extension Dimensions	
A	16"
B	30"
C	8"
D	46"

Hearth Extensions and Wall Shields Thermal Conductivity and Resistance Requirements

"k" & "r" Value Requirements (see installation manual for details)		
k (per inch)	r (per inch)	Listed Min. Thickness
.84	1.19	1"

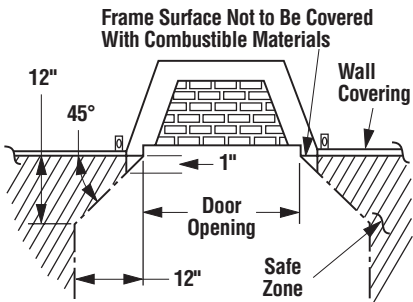


CLEARANCES

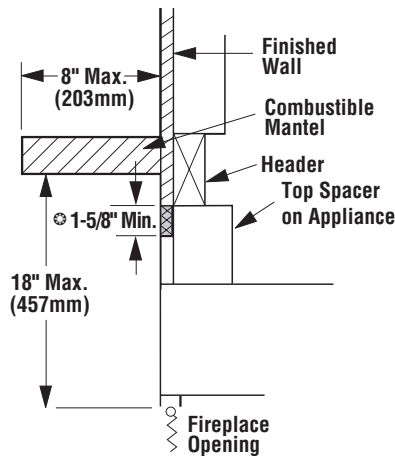
Minimum clearance to combustibles for the appliance is as follows: sides and back - 1" (25 mm), floor - 0" (0 mm), adjacent wall - 12" (305 mm), ceiling - 37 1/2" (953 mm).

Note: Clearance at the nailing tab is 0" (0mm)

Note: Adjacent wall considerations are for an adjacent wall on only a single side. Walls should not be placed at minimum distance at both sides of the fireplace.

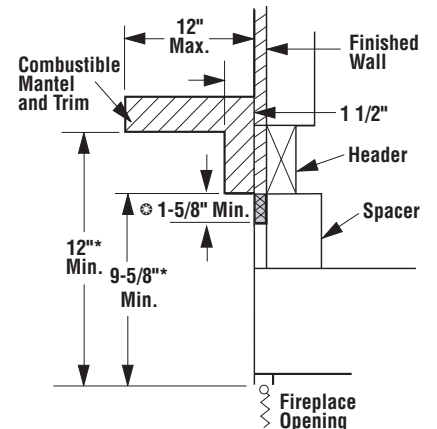


MANTEL CLEARANCES



⊙ The shaded gray area showing 1-5/8" Min. indicates non-combustible material is required.

CANADIAN INSTALLATION



*Both Of These Dimensions Must Be At Least 18" When An Unvented Gas Log Set Rated At 26,000 BTU Or Higher Is Used. (Maximum 40,000 BTU).

⊙ The shaded gray area showing 1-5/8" Min. indicates non-combustible material is required.

USA INSTALLATION