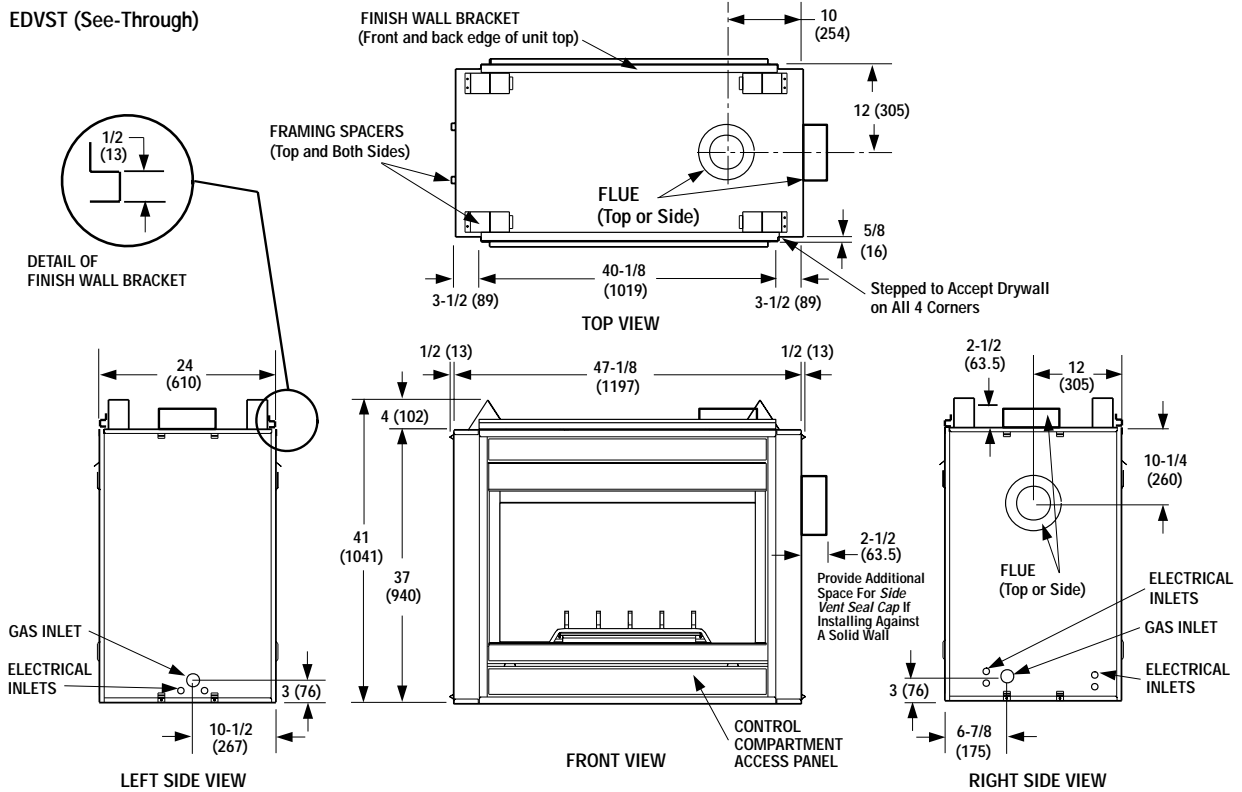


EDVST

Appliance Specifications

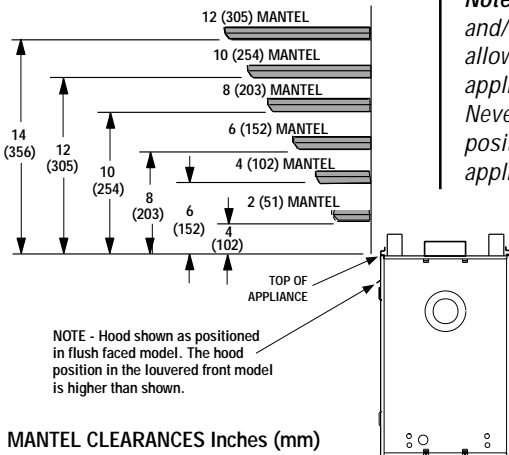
EDVST (See-Through)



Fireplace Finishes

Mantels And Trim

Vertical installation clearances to combustible mantels vary according to the depth of the mantel. The figure below details these required clearances. Mantels constructed of non-combustible materials may be installed at any height above the appliance opening, however, do not allow anything to hang below the eyebrow.



Minimum Clearance To Combustibles

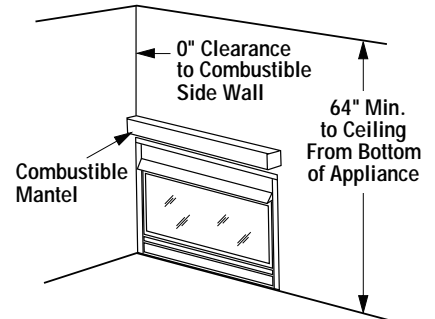
A hearth extension is not required with this appliance. If a hearth extension is used, do not block the control compartment access panel. Any hearth extension used is for appearance only and does not have to conform to standard hearth extension installation requirements.

Note: Combustible wall finish materials and/or surround materials must not be allowed to encroach the area defined by the appliance front face (black sheet metal). Never allow combustible materials to be positioned in front of or overlapping the appliance front face.

Note: Paint or lacquer uses to finish the mantel must be heat resistant in order to avoid discoloration.

Wall Details

Drywall may be installed to within 1/2" of the top of the appliance on sides with glass panels. The 1/2" gap may be filled with non-combustible material. Side panels of the Elite Multi-Open fireplace are stepped to accommodate drywall as shown in dimension drawings.



Minimum Clearance Combustibles

Note: Diagrams, illustrations and photographs are not to scale - Consult Installation Instructions. Product designs, materials, dimensions, specifications, colors and prices are subject to change or discontinuance without notice.

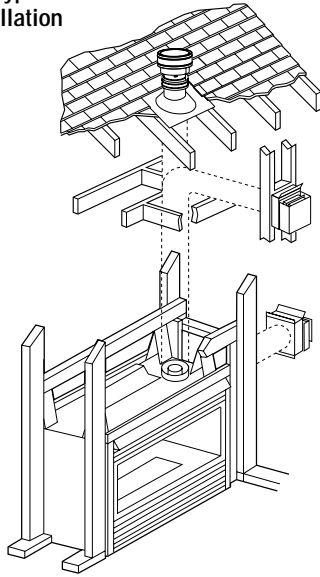
NOTE: DIAGRAMS & ILLUSTRATIONS NOT TO SCALE.



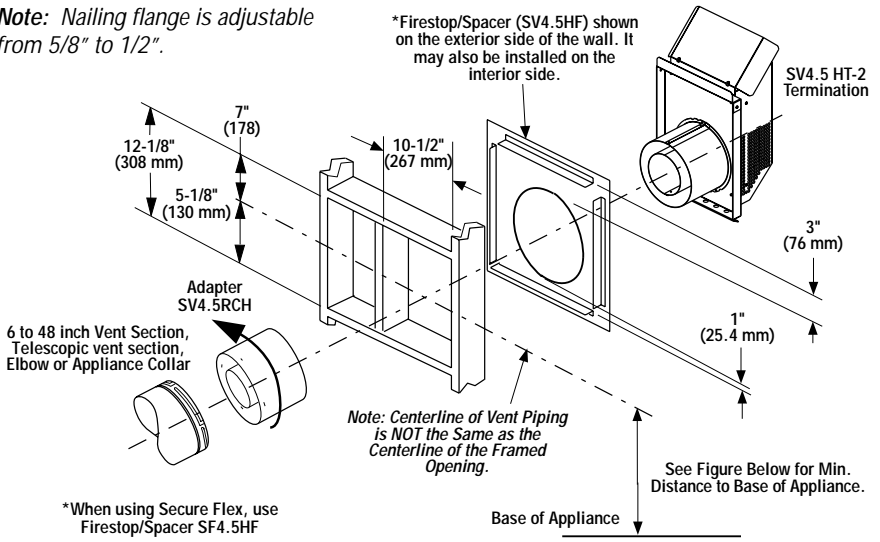
EDVST

Framing Specifications

Typical Installation



Note: Nailing flange is adjustable from 5/8" to 1/2".



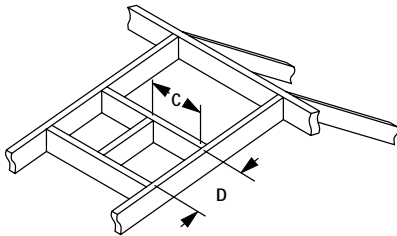
Clearances To Combustibles

Back	1/2 in. - 0 in. spacers
Sides	1/2 in. - 0 in. spacers
Top Spacers	0 in.
Floor	0 in.
Vent	1 in.*
Vent Seal Cap	1 in.
SERVICE CLEARANCES	
Front Back Or Side	3 Feet

Vent Clearances

	Top	Sides	Bottom
Horizontal	3 in.	1 in.	1 in.
Vertical	1 in.	1 in.	1 in.

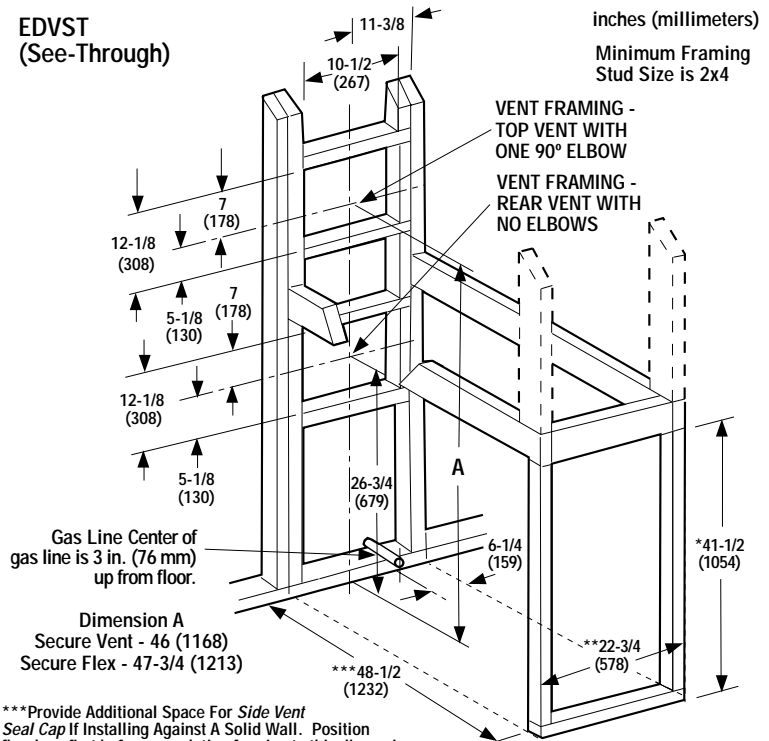
* 3" above any horizontal vent component



Framing Dimensions for Roof

Pitch	C	D
0/12	10-1/2 in. (267 mm)	10-1/2 in. (267 mm)
6/12	10-1/2 in. (267 mm)	12 in. (305 mm)
12/12	10-1/2 in. (267 mm)	17-3/4 in. (451 mm)

EDVST (See-Through)



*****Provide Additional Space For Side Vent Seal Cap If Installing Against A Solid Wall. Position fireplace first before completing framing to this dimension.**

****This dimension based on 5/8" drywall. For 1/2" drywall use 23".**

***This dimension can be reduced to 41 inches (1041 mm). This results in 0 in. (0 mm) clearance between framing and unit framing spacers. (The 41-1/2 in. dimension permits easier fireplace installation, if unit is installed after framing is erected.)**

NOTE: DIAGRAMS & ILLUSTRATIONS NOT TO SCALE.

LENNOX

HEARTH PRODUCTS

775.535M Rev. A 09/09