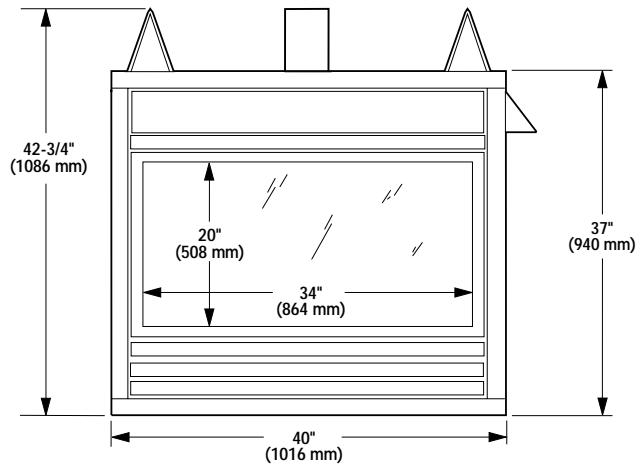


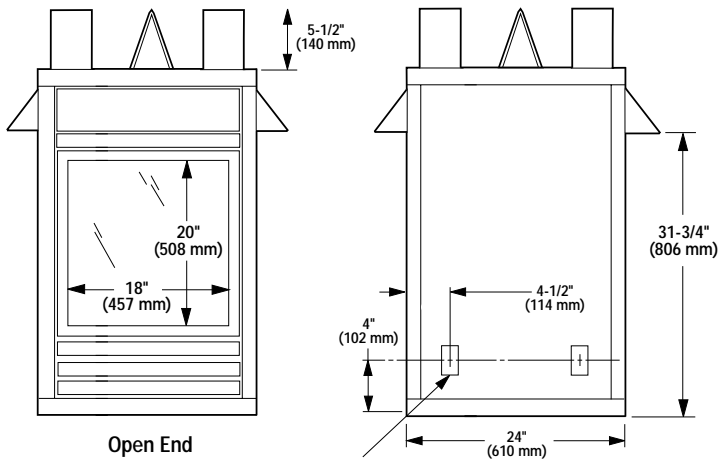
VF-PF-2 - VENT FREE FIREPLACE

Appliance Specifications

Note: J box can be located in either the right or left rear corners of the appliance by relocating the moveable J box plate.



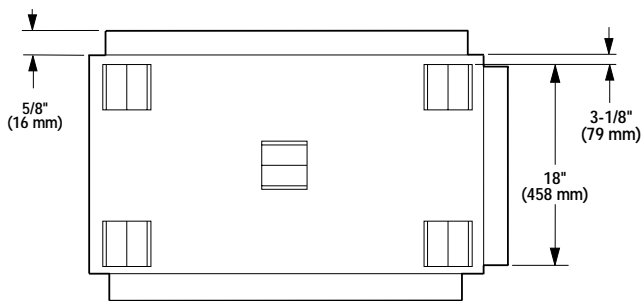
Front View



Open End

J Box/Gas Line
Opening
(Both Sides)

End View

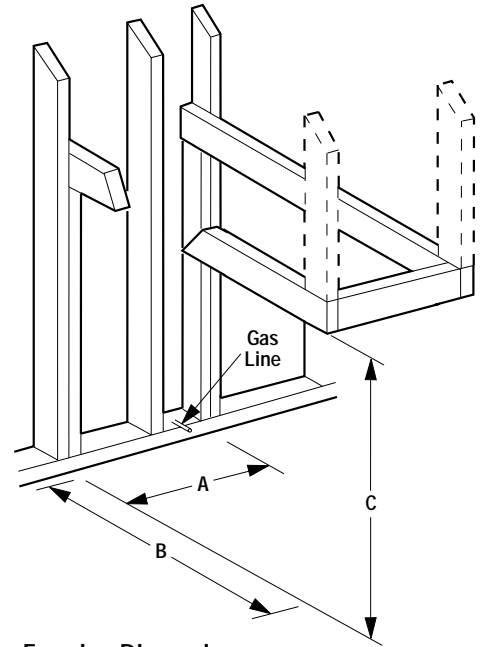


Top View

Note: Diagrams, illustrations and photographs are not to scale - Consult Installation Instructions. Product designs, materials, dimensions, specifications, colors and prices are subject to change or discontinuance without notice.

Framing Specifications

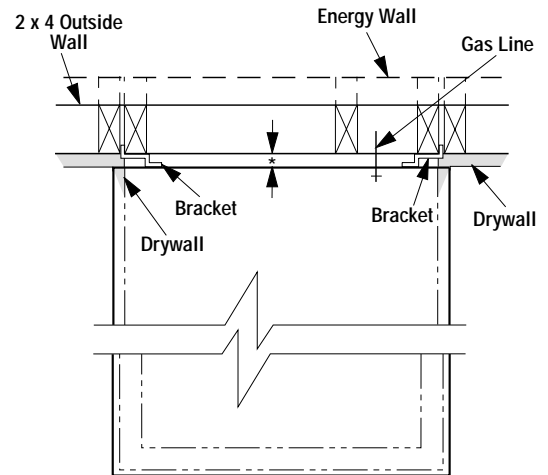
Note: All framing dimensions calculated for 1/2" dry wall at the appliance face.



Framing Dimensions

A	22-3/4" (578 mm)*
B	40-1/8" (1019 mm) Min.
C	43" (1092 mm) Min.

*Note: Framing dimensions calculated for 5/8" drywall finish.



Framing Top View

* 1/2" (13mm) Required Air Space Clearance

Note: All specifications, ratings and dimensions are subject to change without notice.

NOTE: DIAGRAMS & ILLUSTRATIONS NOT TO SCALE.



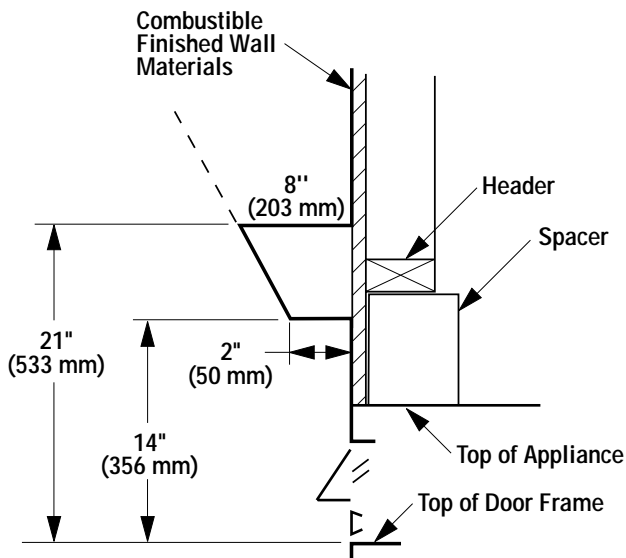
VF-PF-2 - VENT FREE FIREPLACE

Fireplaces Finishes

Wall Details

Minimum clearance to combustibles are:

Appliance: side and back - 0"
 floor - 0"
 adjacent wall - 6"
 ceiling - 37-1/2" (953 mm)

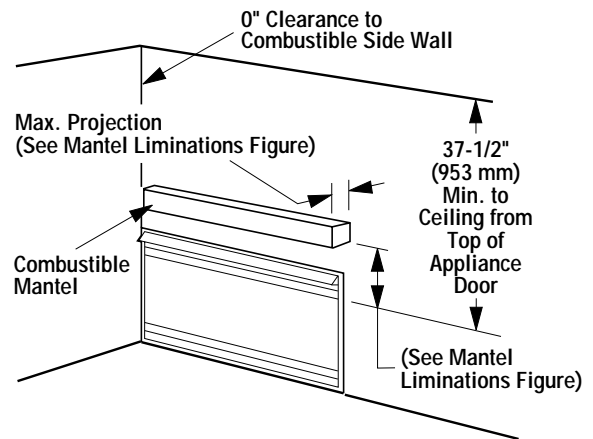


VF-PF Series Mantel Limitations

Minimum Clearance To Combustibles

A hearth extension is not required with this appliance. If a hearth extension is used, it is merely for decorative purposes and does not have to meet standard hearth requirements. Do not block the lower louvered area.

Note: Combustible wall finish materials and/or surround materials must not be allowed to encroach the area defined by the appliance front face (black sheet metal). Never allow combustible materials to be positioned in front of or overlapping the appliance front face.



NOTE: DIAGRAMS & ILLUSTRATIONS NOT TO SCALE.

