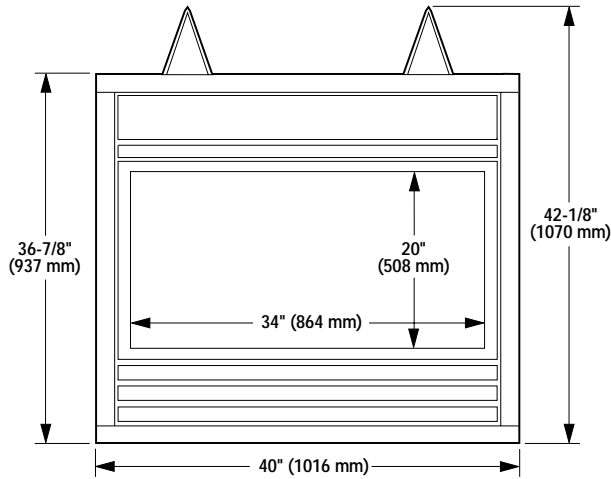


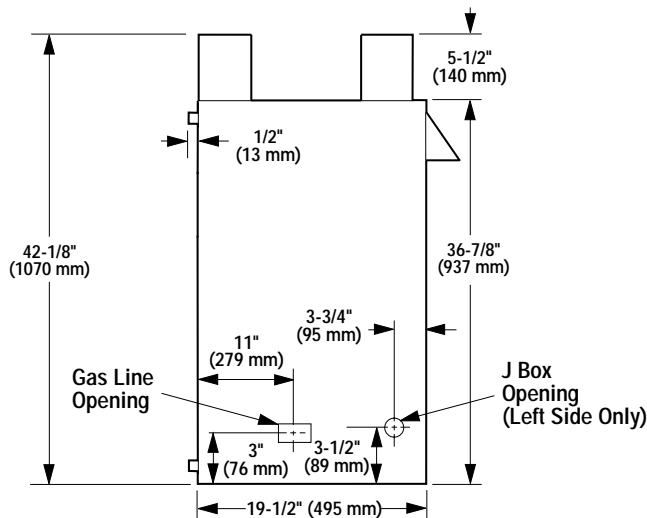
# VF-6000-2 - VENT FREE FIREPLACE

## Appliance Specifications

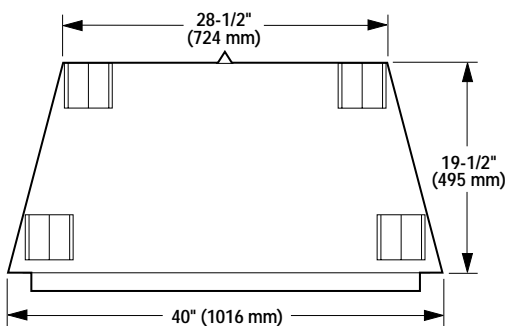
**Note:** J box can be located in either the right or left rear corners of the appliance by relocating the moveable J box plate.



Front View



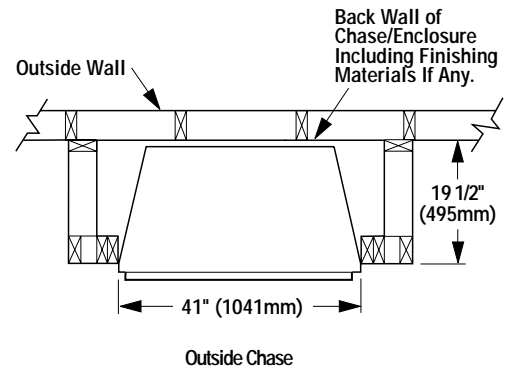
Left Side View  
(Right Side View - Opposite)



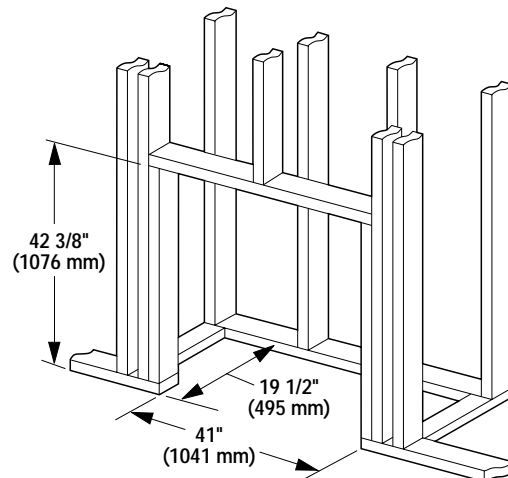
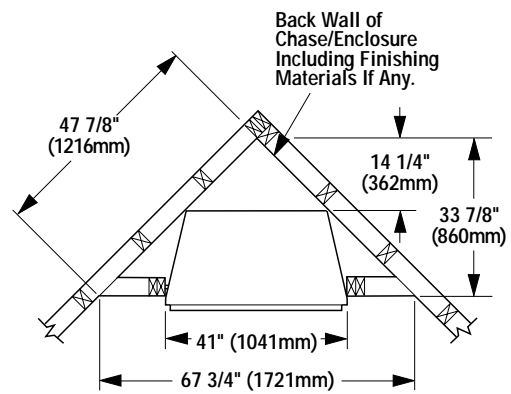
Top View

## Framing Specifications

**Note:** All framing dimensions calculated for 1/2" dry wall at the appliance face.



Outside Chase



**Note:** All specifications, ratings and dimensions are subject to change without notice.

**Note:** Diagrams, illustrations and photographs are not to scale - Consult Installation Instructions. Product designs, materials, dimensions, specifications, colors and prices are subject to change or discontinuance without notice.

NOTE: DIAGRAMS & ILLUSTRATIONS NOT TO SCALE.



# VF-6000-2 - VENT FREE FIREPLACE

## Fireplaces Finishes

### Wall Details

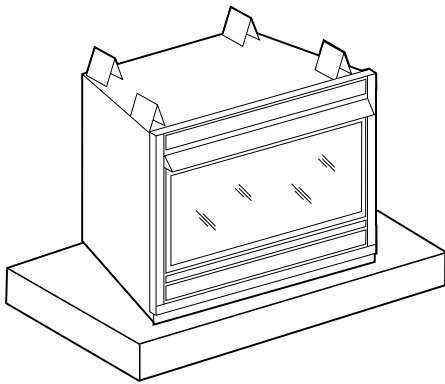
Minimum clearance to combustibles are:

Appliance: side and back - 0"  
 floor - 0"  
 adjacent wall - 6"  
 ceiling - 37-1/2" (953 mm)

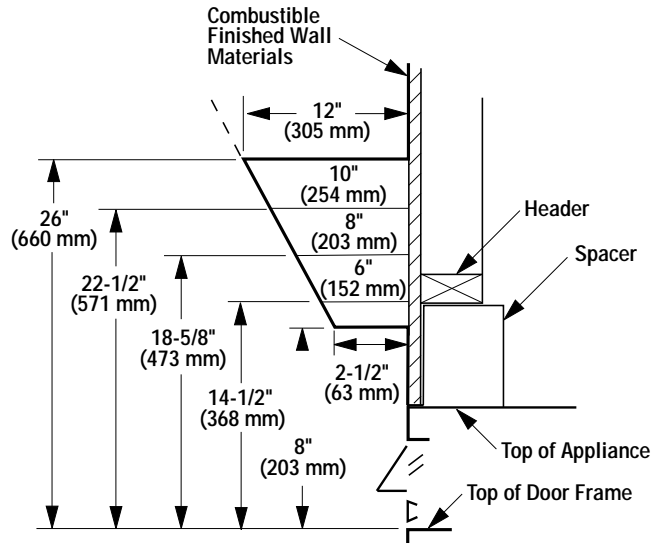
### Surround Installations

**Note:** The VF6000 series appliances must be installed giving full consideration to the clearance and height requirements identified in the installation instructions.

**Position Heater** - Place the heater in desired location. It may be helpful to temporarily assemble the surround around the appliance to properly locate the unit. Refer to the diagram below for floor and platform installation.



**Note:** The heater may be installed directly on a floor made of standard combustible wood construction materials. Do not install the heater directly on carpeting or other soft floor coverings such as vinyl tile or flooring materials. Use a wood or metal panel that extends the full width and depth of the heater between the heater and any soft floor covering material.

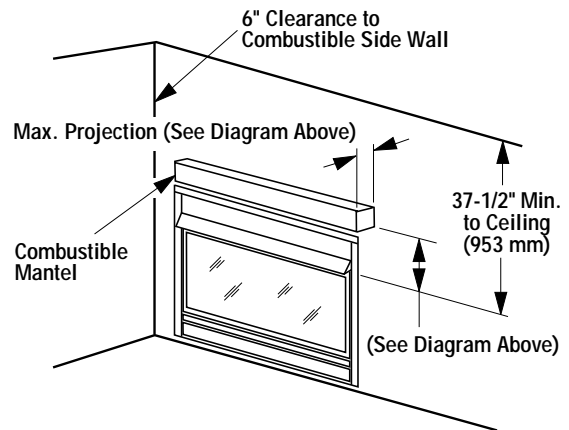


VF Series Mantel Limitations

### Minimum Clearance To Combustibles

A hearth extension is not required with this appliance. If a hearth extension is used, it is merely for decorative purposes and does not have to meet standard hearth requirements. Do not block the lower louvered area.

**Note:** Combustible wall finish materials and/or surround materials must not be allowed to encroach the area defined by the appliance front face (black sheet metal). Never allow combustible materials to be positioned in front of or overlapping the appliance front face.



NOTE: DIAGRAMS & ILLUSTRATIONS NOT TO SCALE.