

**INSTALLATION INSTRUCTIONS FOR DECORATIVE ARCH SCREEN DOOR KITS
FOR USE WITH UVF-36, UVFRC-3628, UVFRC-3628-H
UVFRC-4228 & UVFRC-4228-H UNIVERSAL VENTFREE FIREBOXES**

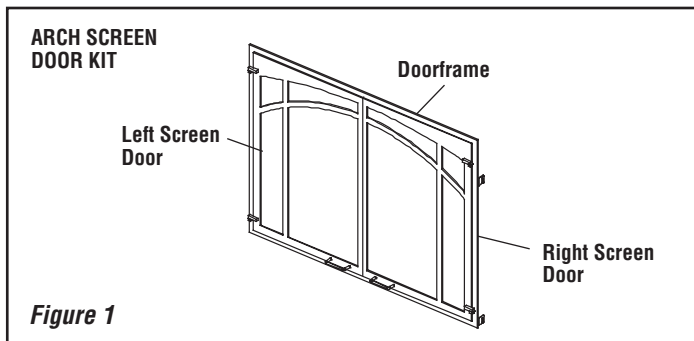
* DECORATIVE SCREEN DOOR PANEL KITS		
CAT. NO.	MODEL	WHERE USED
H1959	ASD3624-TI	UVF-36
H1960	ASD3628-TI	UVFRC-3628 & UVFRC-3628-H
H1961	ASD4228-TI	UVFRC-4228 & UVFRC-4228-H

Table 1

* A canopy hood is required when installing these Decorative Arch Screen Door Kits (the canopy is sold separately for UVFRC-3628, UVFRC-3628-H, UVFRC-4228 & UVFRC-4228-H. A canopy is a standard part for model UVF-36).

KIT CONTENTS	
QUANTITY	DESCRIPTION
1 ea.	Screen Door, Left
1 ea.	Screen Door, Right
1 ea.	Doorframe
1 ea.	Instruction Sheet

Table 2



TOOLS REQUIRED

Phillips Screwdriver
5/16" Socket or Nutdriver

GENERAL INFORMATION

This decorative screen door fits on the face of the appliance. If you encounter any problems, need clarification of these instructions or are not qualified to properly install this kit, contact your local distributor or dealer.

Read and understand all instructions and warnings in this document before beginning the installation.

CAUTION

INSTALL ONLY WHEN THE APPLIANCE IS OFF AND COLD!

INSTALLATION INSTRUCTIONS:

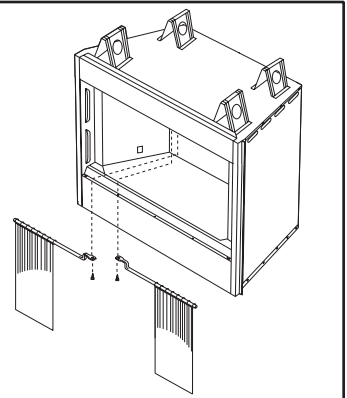
- All Models** - Using a 5/16" socket or nutdriver remove screen and rod assemblies as shown in *Figure 2*. **Reinstall the Screen Rod Screws! The Screen and Rod Assemblies must NOT be installed when the screen door kit is installed! You may wish to retain the screen and rod assemblies in case the screen door kit is ever removed in the future (read Important Note in Figure 2).**

Remove Screens & Rods.

A) Remove screws (see dotted lines). Pull out rods from locating holes on side of firebox opening.

B) IMPORTANT: Reinstall screen rod screws into the existing holes where removed.

IMPORTANT NOTE: If this optional screen door kit is ever removed, the rod and screens **MUST** be reinstalled for safe operation of the appliance.



- All Models** - Remove and save the (2) two upper side frame screws as shown in *Figure 3* (on both sides of firebox). Loosen the bottom side frame screws (do not remove). See *Figure 3*.

A) Side Frame Screws

Using a phillips screwdriver remove the side frame screw indicated here. Loosen the lower side frame screws but **DO NOT** remove them.

B) Set aside the screws that were removed for later use.



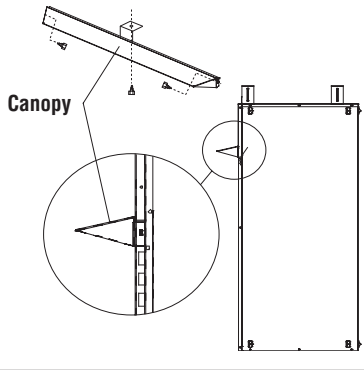
Figure 3

- Models: UVFRC-3628, UVFRC-3628-H, UVFRC-4228 & UVFRC-4228-H Only** - Install Canopy (see *Figure 4* and follow installation instruction in the *Installation And Operating Instructions Manual*).

Install Canopy - Models: UVFRC-3628, UVFRC-3628-H, UVFRC-4228 & UVFRC-4228-H Only



Figure 4

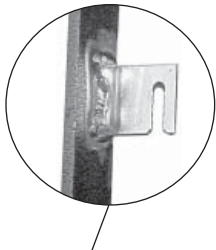


CAUTION

ALL MODELS MUST HAVE A CANOPY INSTALLED WHEN THIS SCREEN DOOR KIT IS INSTALLED!

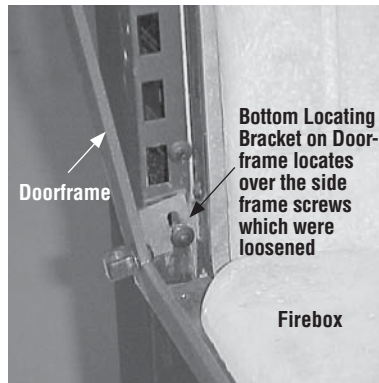
4. **All Models** - Install doorframe assembly (provided) per instructions in *Figure 5, 6a & 6b*.

Hook the bottom doorframe locating brackets over the (2) two bottom side frame screws (which were loosened in Step 3) as shown below.



The (4) four locating brackets on doorframe hook over side frame screws shown in *Figure 3*

Figure 5



Secure Doorframe to Appliance and Tighten Screws

A) Rotate the top of the doorframe flush with firebox face then secure in place by installing the (2) two screws which were removed in *Step 3* through the doorframe brackets into the existing holes in side frames.

B) Tighten the (2) two loose screws through the bottom locating brackets (shown in *Figure 5*).

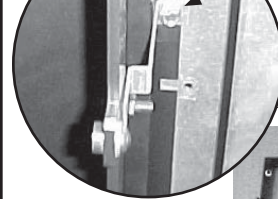
C) Adjust the center top and bottom doorframe brackets as shown in *Figure 6b*.

Figure 6a



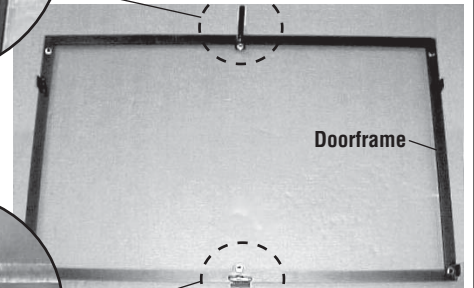
NOTE: DIAGRAMS & ILLUSTRATIONS ARE NOT TO SCALE.

Use center canopy screw (see *Figure 4*) to secure center top bracket to firebox ceiling.

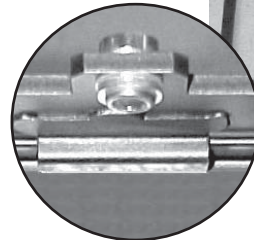


Top Doorframe Bracket

Position the top and bottom doorframe brackets as shown. Brackets should be positioned behind the cabinet top and bottom flanges of firebox opening.



Doorframe



Bottom Doorframe Bracket

CENTER TOP & BOTTOM DOORFRAME BRACKETS

Figure 6b

6. **All Models** - Install the screen doors by aligning hinge pins on the doors with the hinge holes on the doorframe and slide down (see *Figure 7*). Ensure the hinge pins are fully seated onto the shoulders of the hinge holes.

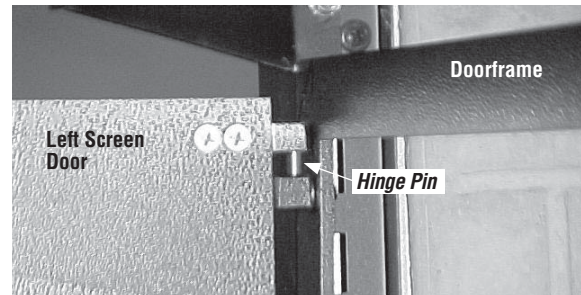


Figure 7 - Install Screen Doors

7. **Close Doors.** Installation is complete.

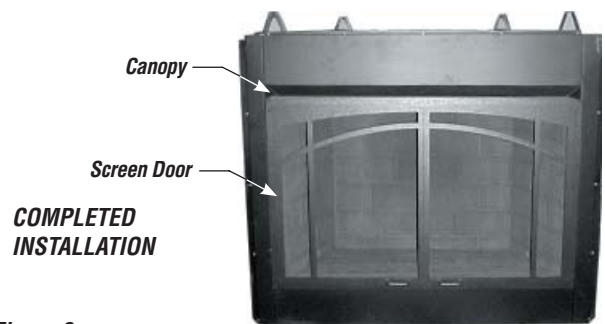


Figure 8

LHP reserves the right to make changes at any time, without notice, in design, materials, specifications, prices and the discontinuance of colors, styles and products. Consult your local distributor for fireplace code information.