

INSTALLATION INSTRUCTIONS FOR INSTALLING THE PELLET ZC KIT FOR USE WITH THE WINSLOW™ PI40 PELLET FIREPLACE INSERT



KIT CONTENTS (See Figure 1):

Please ensure that all these parts are in the box

- 1 ea. Back Panel (A)
- 1 ea. Left Side Panel (B)
- 1 ea. Right Side Panel (C)
- 1 ea. Top panel (D)
- 1 ea. Access Panel (E)
- 1 ea. Flue Block Off Plate (F)
- 2 ea. Side Stand-off Brackets (G) - marked *S*
- 2 ea. Top Stand-off Brackets (H) - marked *T*
- 1 ea. Back Stand-off Bracket (I) - marked *B*
- 26 ea. 1/8" x 1/2" Screws (J)
- 4 ea. Door Washers (K)
- 1 ea. Rear Vent Adapter (L)*

* The rear vent adapter (cat. no. H5147) is only required for rear vent applications and must be ordered separately.

Cat. No.	Model	Description
79025	PI40-ZCK	PI40 Pellet ZC Kit

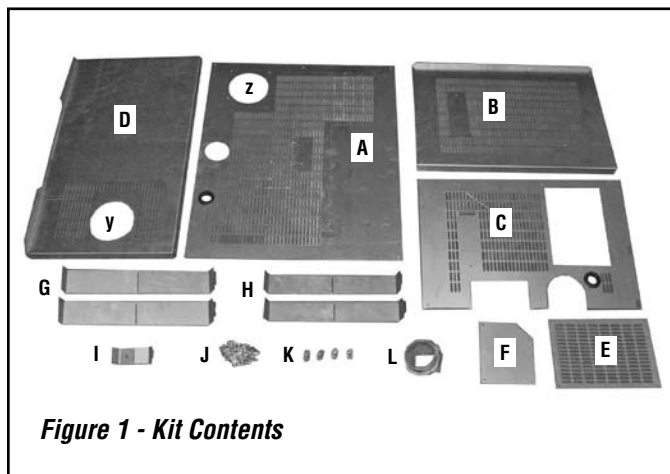


Figure 1 - Kit Contents

TOOLS NEEDED:

- 1/4" Nut Driver
- 1/8" Drill

GENERAL INFORMATION

This kit allows the installer to build the PI40 pellet fireplace insert into the framing of the home.

If you encounter any problems, need clarification of these instructions or are not qualified to properly install this kit, contact your local distributor or dealer.

Read this instruction sheet in its entirety before beginning the installation.

IMPORTANT NOTE: ALL THE STAND-OFFS PROVIDED IN THIS KIT MUST BE INSTALLED ON THE PANELS PER THESE INSTRUCTIONS. THEY ARE REQUIRED TO ENSURE PROPER CLEARANCES.

BEFORE INSTALLING THE APPLIANCE REVIEW ALL REQUIREMENTS IN THE INSTALLATION AND OPERATION MANUAL PROVIDED WITH THE APPLIANCE. ALL WARNINGS AND PRECAUTIONS IN THE INSTALLATION AND OPERATION MANUAL PROVIDED WITH THE APPLIANCE APPLY TO THESE INSTRUCTIONS.

DETERMINE THE VENT CONFIGURATION. FOLLOW INSTRUCTIONS IN THE INSTALLATION AND OPERATION MANUAL AND VENT MANUFACTURER'S INSTRUCTIONS.

DETERMINE THE FLOOR PROTECTION REQUIREMENTS. FOLLOW INSTRUCTIONS IN THE INSTALLATION AND OPERATION MANUAL. IF ANYTHING OTHER THAN A MASONRY HEARTH IS USED WITH THE WINSLOW FIREPLACE INSERT, YOU MUST USE HEAT KIT, CAT. NO. 79024 - SOLD SEPARATELY. IF A MASONRY HEARTH IS USED IT MUST EXTEND THE FULL WIDTH AND DEPTH OF THE ENCLOSURE AND TO THE FRONT AS SPECIFIED IN THE INSTALLATION AND OPERATION MANUAL.

Note: Top or rear vent? If you will be venting out the top then you will install the block off plate (F in Figure 1) onto the lower back panel (A) in the spot that is marked "z" in Figure 1. If you are venting out the back you will install the block off plate (F) onto the top panel (D) in the spot that is marked "y" in Figure 1. You will use four of the sheet metal screws provided to attach the block off plate (F).

INSTALLATION INSTRUCTIONS

Step 1. For a rear vent termination, remove the flue clean out box on the PI40 pellet insert by removing the three screws (1 on top and 1 on both the right and left side) that hold it in place. Using these same screws, install the rear vent adapter (L) in place of the flue clean out box (see **Figure 2**).

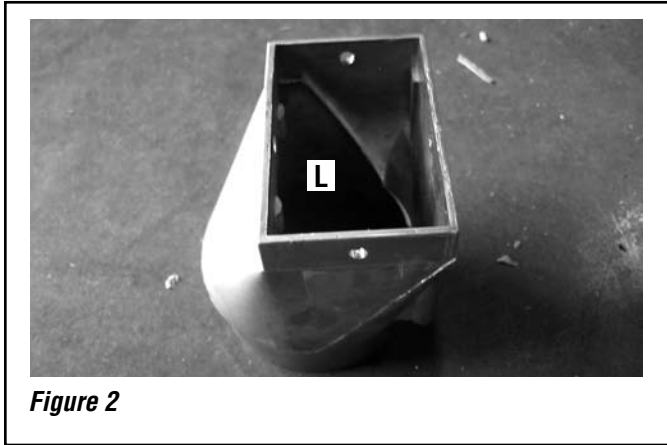


Figure 2

Step 2. When installing the rear vent adapter (L), ensure that the flat edge is directed towards the inside of the stove (see **Figure 3**).

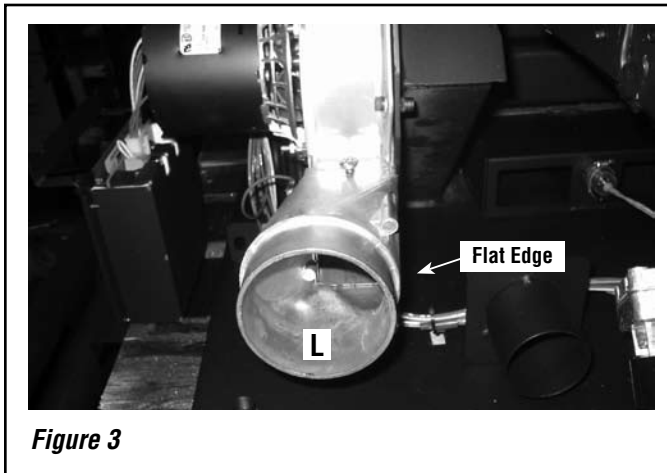


Figure 3

Step 3. Assemble the perimeter (see Figure 4) - Using only the bottom 2 holes on each side, screw the left side panel (B) and the right side panel (C) to the back panel (A).

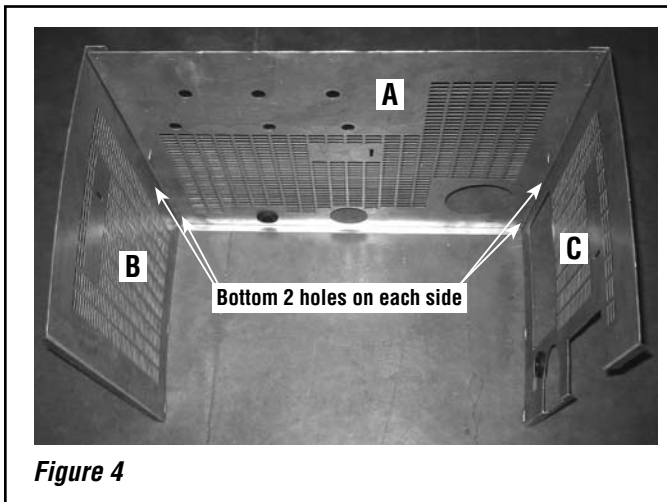


Figure 4

Step 4. Install the top panel (D). Place the top panel (D) on top of the perimeter panels (A, B, and C). Using only the three holes along the left and right side of the top panel (D), screw panel (D) onto the side panels (A and B). The 3 remaining holes along the back of the top panel (D) will be used in Step 7.

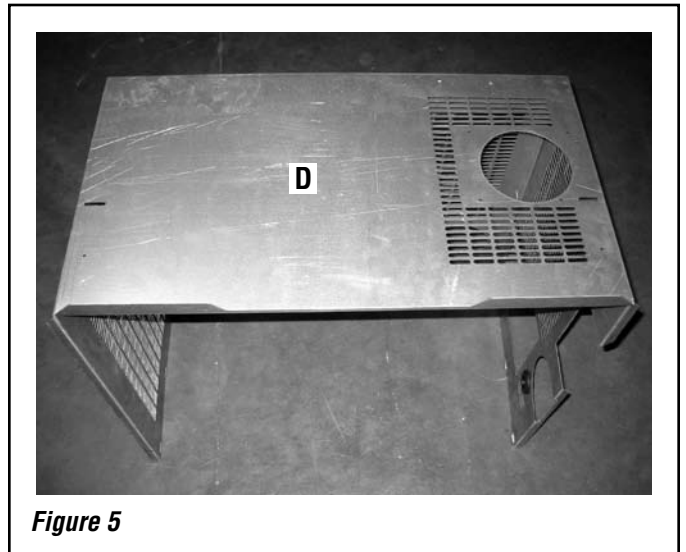


Figure 5

Step 5. Install the top stand-offs (G). There are 2 standoffs on the top panel (D). Install them by taking the lip of the standoff and sliding them into the slots (a and b) then bend them down. Using the sheet metal screws provided, screw the standoffs (G) into the holes provided.

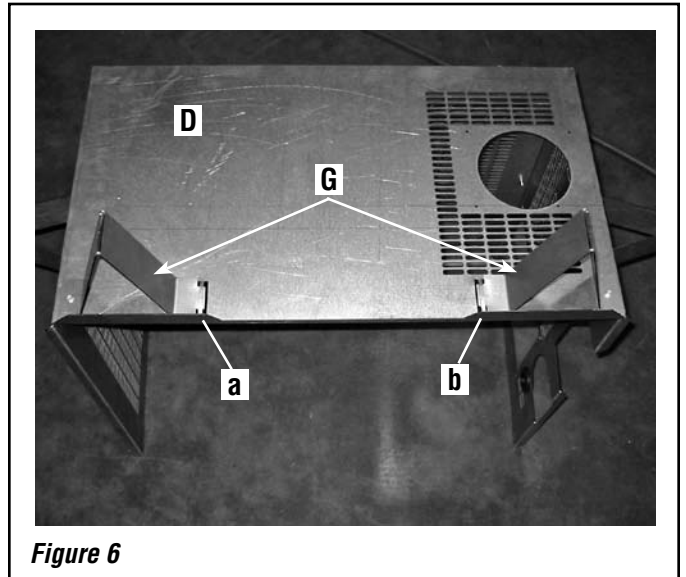


Figure 6

Step 6. Install the side stand-off brackets (H) and rear stand-off bracket (I) in the same manner explained above. **Figure 7** below shows these stand-offs installed.

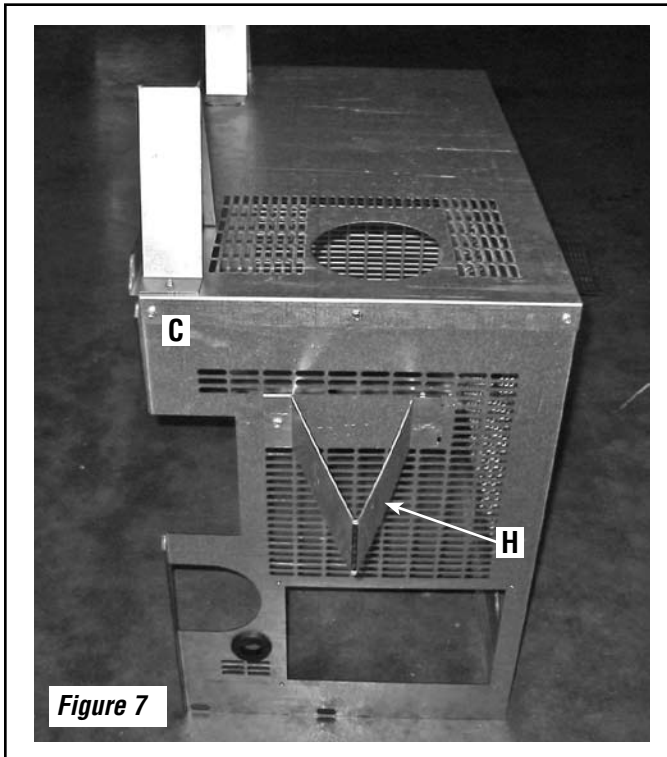


Figure 7

Step 7. Remove the 3 screws located across the top of the pellet hopper (see **Figure 8**).

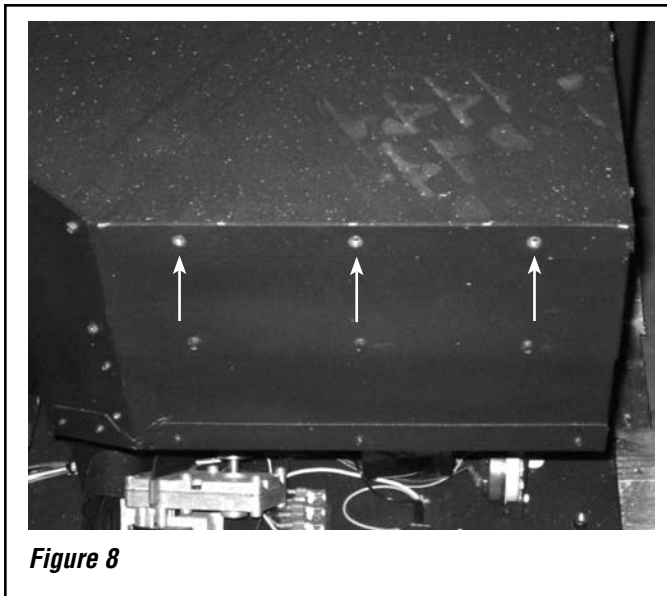


Figure 8

Step 8. Set the assembled ZC box near the back of the stove and pull the power cord, located in the lower rear of the stove, through the rubber grommet at the bottom of the back panel (A). Now, pull the wiring harness through the rubber grommet located towards the bottom of the right side panel (C) (see **Figure 9**). Slide the ZC box against the back of the stove and reinstall the 3 screws through top panel (D) and into the stove.

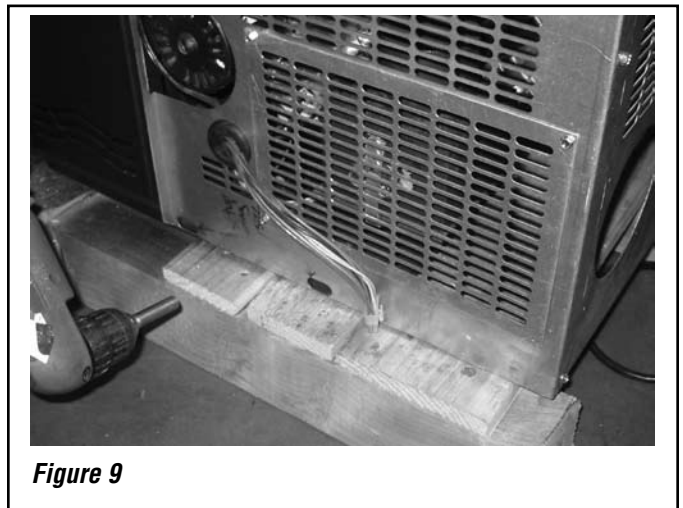


Figure 9

Step 9. Install the access panel (E) by screwing it onto the right side panel (C), using 4 of the sheet metal screws provided.

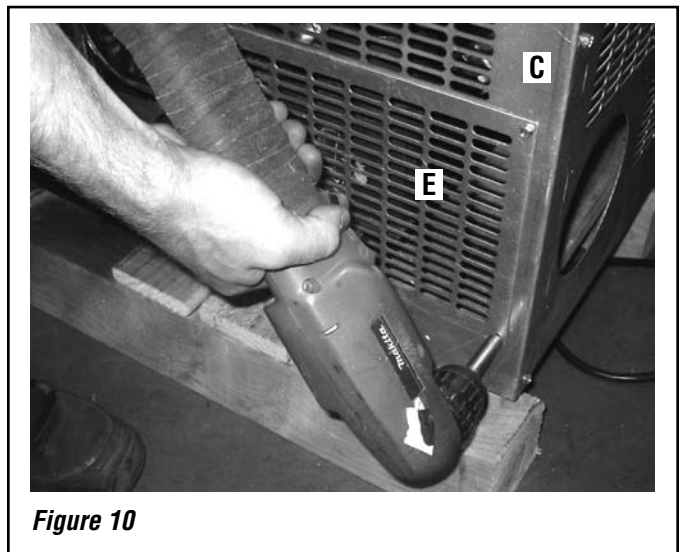


Figure 10

Step 10. Final step: Install the 4 door washers (K), using 4 of the sheet metal screws provided, insert two on each lower side of your ZC box (shown in the **Figure 11**). You are now ready to install your PI40 pellet insert. **Follow all vent clearances stated in your Installation and Operation Manual and the vent manufacturers instructions.**

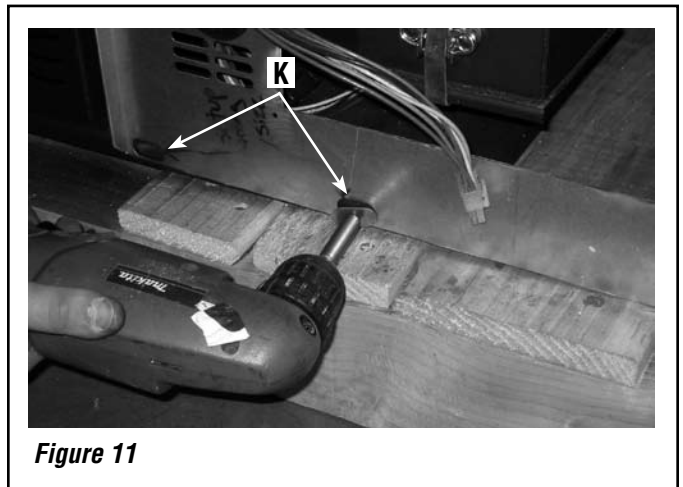


Figure 11

ZC Framing Dimensions for Combustible / Floor

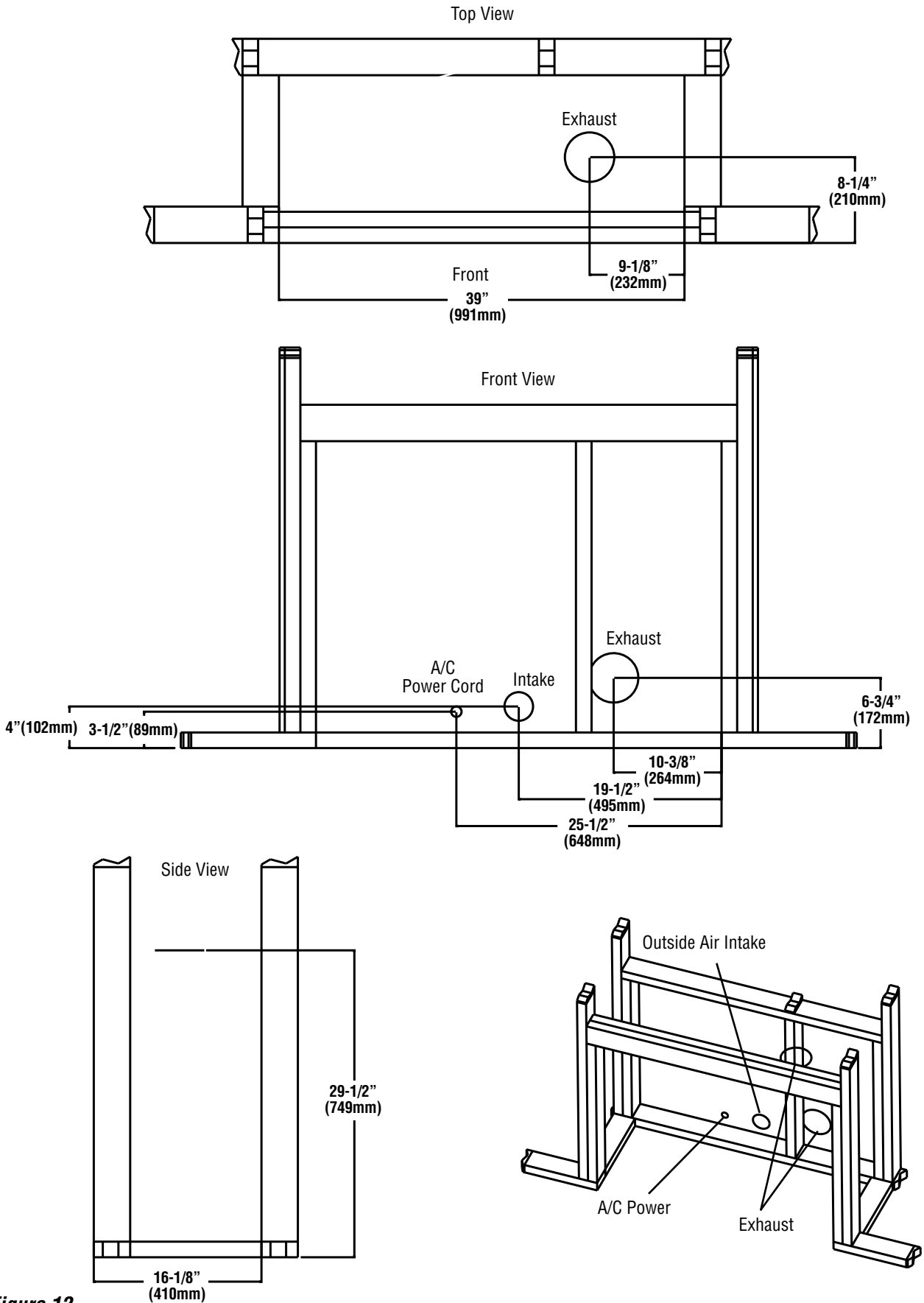


Figure 12

NOTE: DIAGRAMS AND ILLUSTRATIONS ARE NOT TO SCALE.

ZC Framing Dimensions for Non-Combustible Hearth /Floor

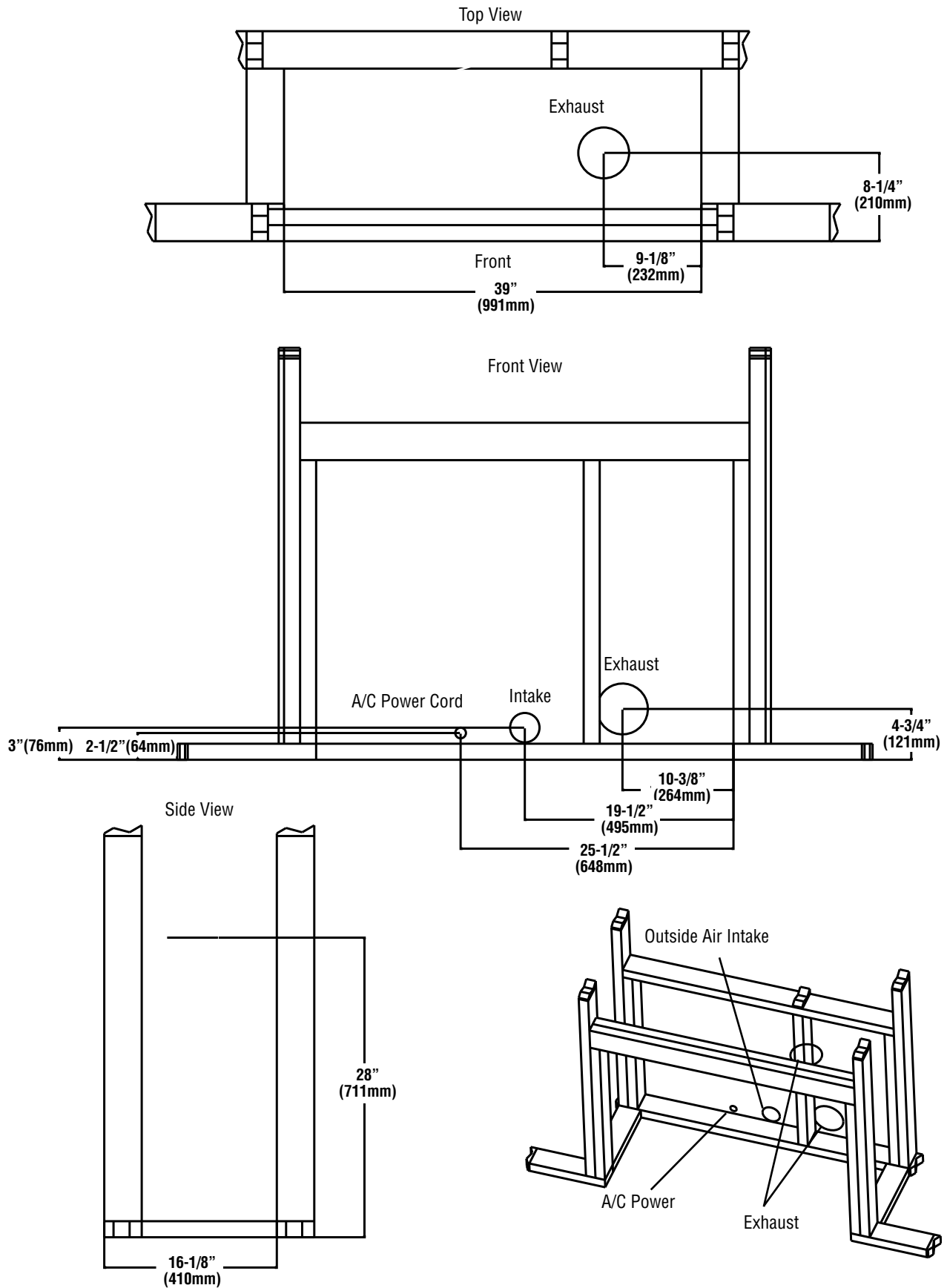


Figure 13

NOTE: DIAGRAMS AND ILLUSTRATIONS ARE NOT TO SCALE.

Lennox Hearth Products reserves the right to make changes at any time, without notice, in design, materials, specifications, prices and also to discontinue colors, styles and products. Consult your local distributor for fireplace code information.



Printed in U.S.A. © 2009 Lennox Hearth Products
P/N 775,277M REV. A 02/2009

1110 West Taft Avenue • Orange, CA 92865