

INSTALLATION INSTRUCTIONS FOR INSTALLING SURROUND KITS FOR USE WITH THE SHORELINE GAS FIREPLACE INSERT

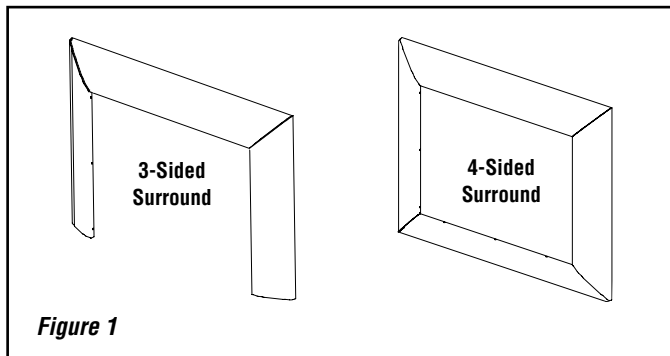


KIT CONTENTS (See Figure 1):

Please ensure that all these parts are in one of the two boxes.

- 1 ea. Surround Panel Set
- 1 ea. Instruction Sheet

Surround Kits - Models SHR33 and SHR40			
Cat. #	Model	Description	Dimensions
75385	SHR-SP-4P-LG	Small 4-sided	36-5/8"W x 29-3/16"H
75386	SHR-SP-3P-LG	Large 4-sided	41"W x 33-1/2"H
75387	SHR-SP-4P-SM	Small 3-sided	36-5/8"W x 25-7/8"H
75388	SHR-SP-3P-SM	Large 3-sided	41"W x 28"H

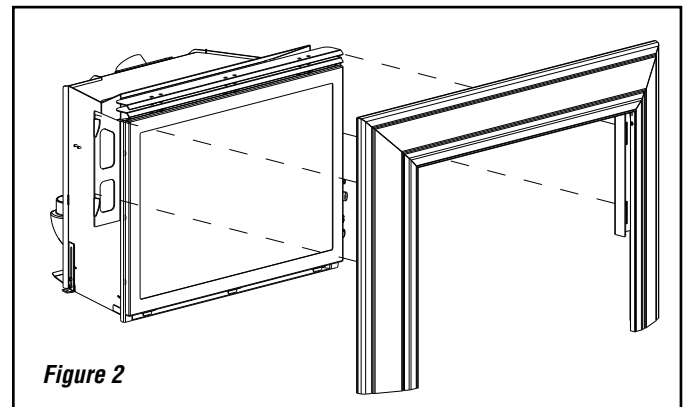


INSTRUCTIONS

Note: Install surround with insert positioned in the fireplace, but a few inches in front of its final location.

To Install Surround Panels:

1. Hang the surround on hooks attached to insert (labeled A and B). Make sure the surround is seated firmly on the hooks. See **Figures 2, 3 and 4.**



TOOLS REQUIRED

7/16" wrench (for ball screw mount adjustment, if necessary)

GENERAL INFORMATION

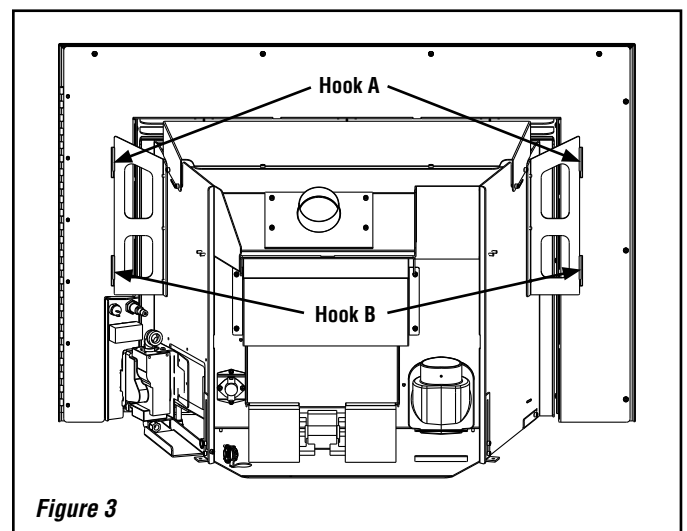
All of these parts may scratch and bend, great care should be used in handling them.

If you encounter any problems, need clarification of these instructions or are not qualified to properly install this kit, contact your local distributor or dealer.

Read this instruction sheet in its entirety before beginning the installation.

ALL WARNINGS AND PRECAUTIONS IN THE INSTALLATION AND OPERATION MANUAL PROVIDED WITH THE APPLIANCE APPLY TO THESE INSTRUCTIONS.

TURN OFF THE FIREPLACE AND ALLOW IT TO COMPLETELY COOL BEFORE PROCEEDING.



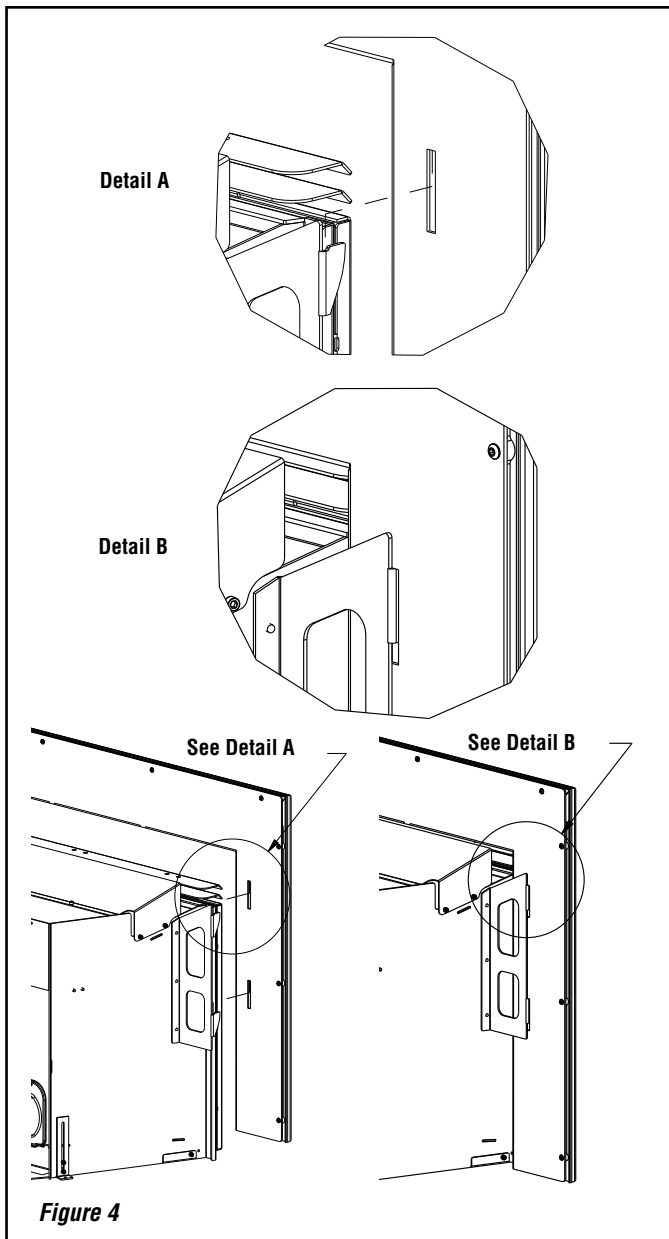


Figure 4

2 Slide the insert into its final location in the fireplace. In case of uneven wall surface open the right surround access door and make any adjustments needed to ensure there is enough clearance to open the access door (see Page 3).



Figure 5

Important Note: The trim panels or surrounds must not seal ventilation openings on the appliance.

SURROUND BALL SCREW MOUNT ADJUSTMENT

Adjustment Procedure:

- Step 1** Open the surround access door. Inspect the tension or lack of tension while opening the door to determine if it should open easier or tighter.
- Step 2** With access door open you will see the ball screw and jam nut on the surround backing plate near the top surround piece as seen in **Figure 5**. Using a 7/16" wrench, loosen the jam nut on the ball screw as shown in **Figure 6**.
- Step 3** Once this jam nut is loose you can then adjust the ball screw for more or less tension using your fingers as seen in **Figure 7**. Turning the ball screw counter-clockwise, as you are looking at it, will give you less tension and turning the ball screw clockwise will give you more tension when opening and closing the surround access door. **Figure 8** is showing the ball screw adjusted down for additional tension.
- Step 4** You can then test close the surround access door to ensure it has proper tension. Readjust if needed.
- Step 5** Once the proper tension is achieved, hold the ball screw with your fingers, then using a 7/16" wrench tighten the jam nut, clockwise (**SNUG ONLY, DO NOT OVERTIGHTEN**).

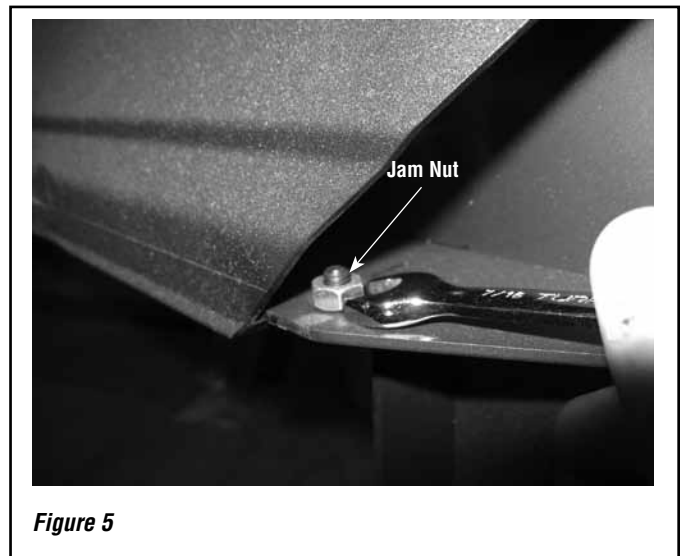


Figure 5

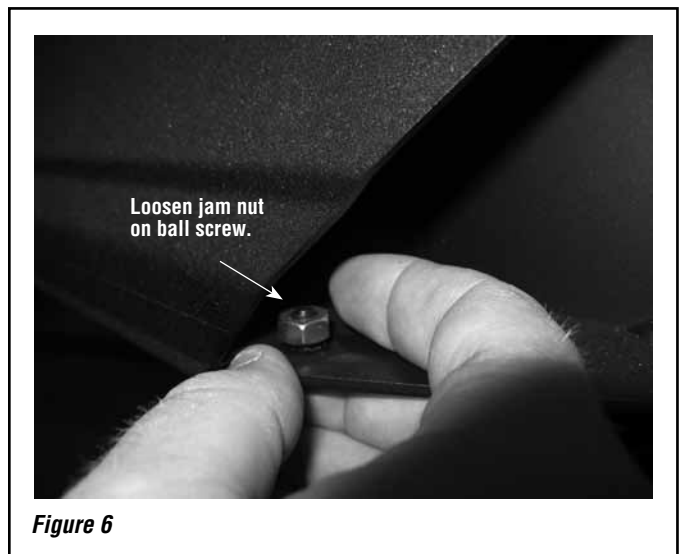


Figure 6



Figure 7

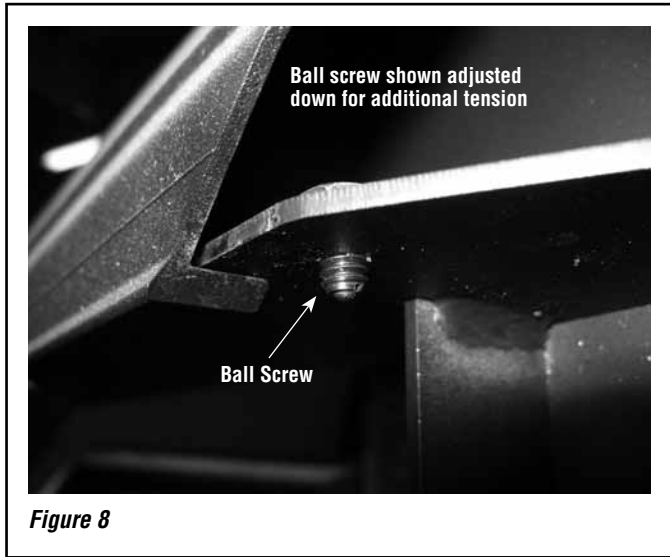


Figure 8

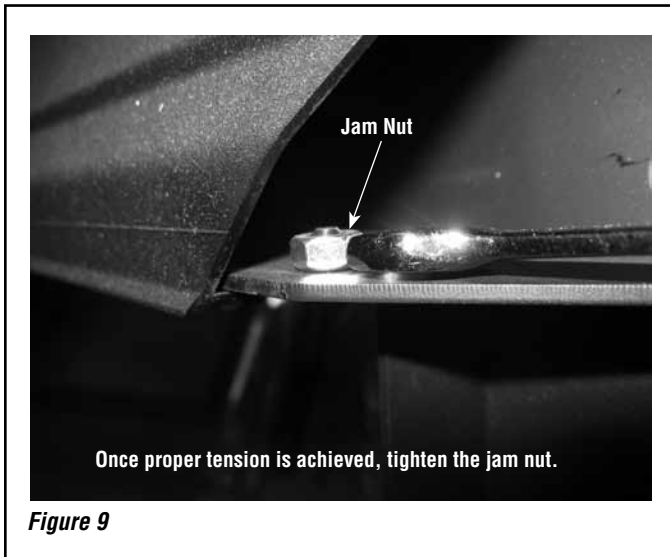
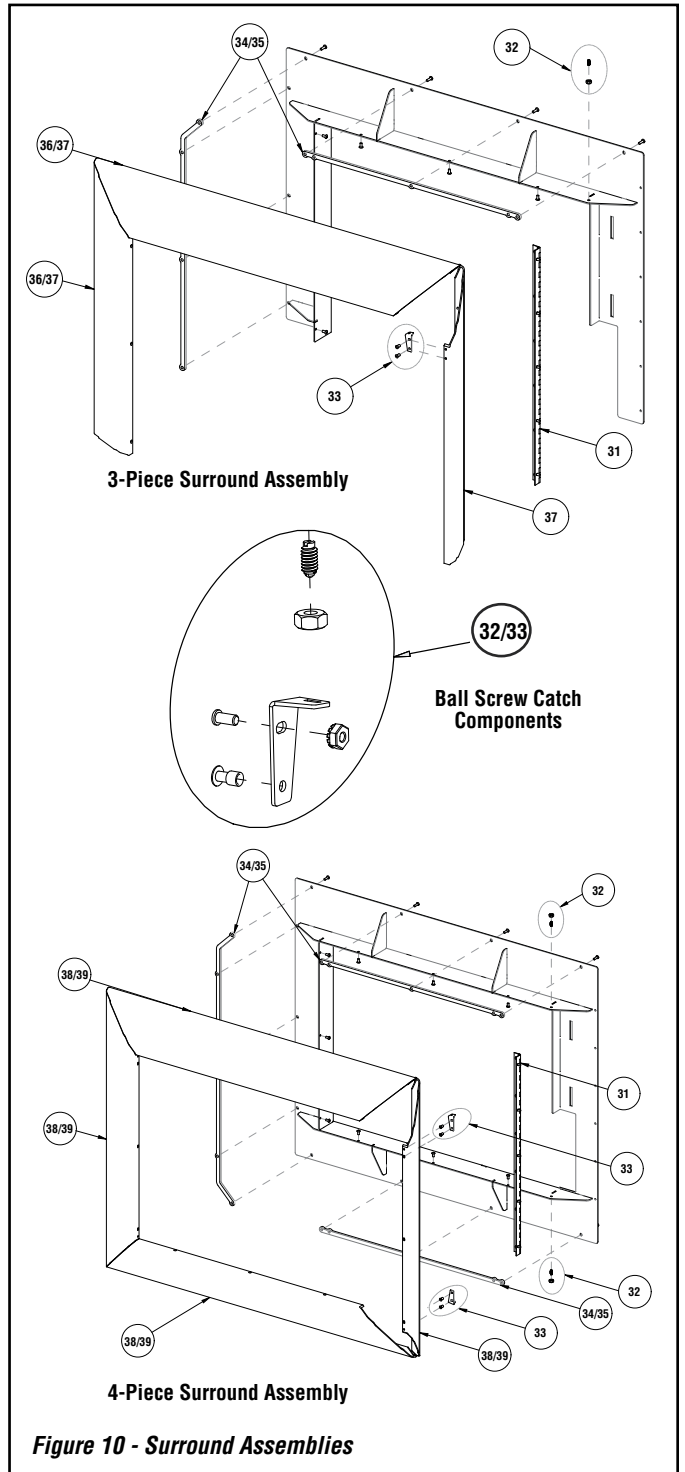


Figure 9

REFERENCE INFORMATION

Part Identification



Item #	Description
31	Surround Flange Hinge
32	Ball Screw Assembly
33	Ball Screw Catch Assembly
34	Surround Spacer Kit - Small
35	Surround Spacer Kit - Large

Item #	Description
36	Extrusion Kit, 3-Piece - Small
37	Extrusion Kit, 3-Piece - Large
38	Extrusion Kit, 4-Piece - Small
39	Extrusion Kit, 4-Piece - Large

NOTE: DIAGRAMS AND ILLUSTRATIONS ARE NOT TO SCALE

Lennox Hearth Products reserves the right to make changes at any time, without notice, in design, materials, specifications, prices and also to discontinue colors, styles and products. Consult your local distributor for fireplace code information.

