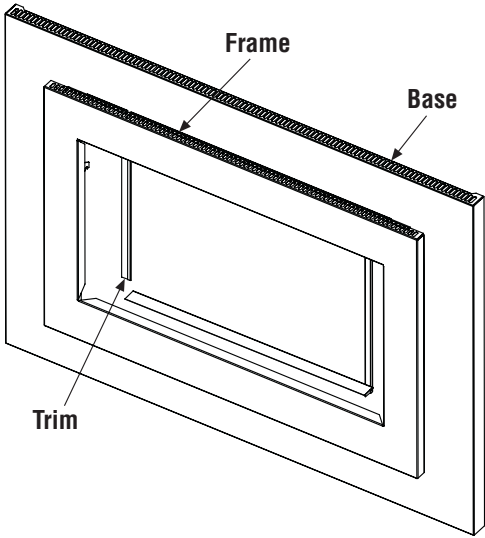




**INSTALLATION INSTRUCTIONS FOR CONTEMPORARY FAÇADE KITS  
FOR USE WITH MERIT™ SERIES MLDVTCD-35 GAS FIREPLACES**



Contemporary Façade Kits		
Choose One Base (Largest Piece Immediately Against The Finish Wall)		
Cat. No.	Model No.	Description
H7732	CDFBBK-35	Façade Base, Black
H7733	CDFBSS-35	Façade Base, Stainless
Choose One Frame (Inner Façade Frame Piece Surrounding The Opening)		
H7730	CDFFBK-35	Façade Frame, Black
H7731	CDFBSS-35	Façade Frame, Stainless
Choose One Trim (Finishes The Inner Frame Opening)		
H7727	CDTKBK-35	Façade Trim, Black
H7728	CDTKSS-35	Façade Trim, Stainless
H7729	CDTKBR-35	Façade Trim, Polished Brass

Table 1

**TOOLS REQUIRED**

1 - Phillips Screwdriver, 1 - 5/16" Nut Driver

**GENERAL INFORMATION**

The Contemporary Façade Kit is composed of three separate elements that are purchased separately. Refer to **Table 1**.

**NOTE:** To complete one Façade a selection of one Base, one Frame and one Façade Trim must be made.

The frame must be installed on a properly positioned MLDVTCD fireplace. Refer to manual number 506015-03 for detailed instructions. Refer to **Figure 1** for façade significant dimensions.

**NOTE:** The fireplace must be positioned at least 18" up the wall to use the contemporary façade

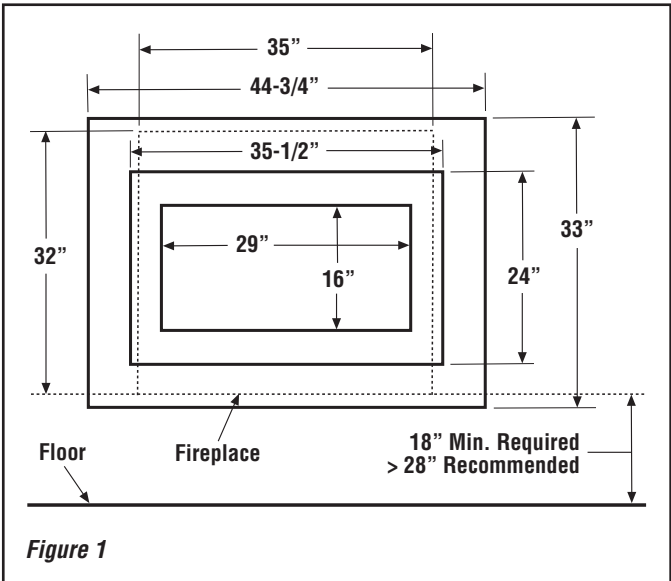
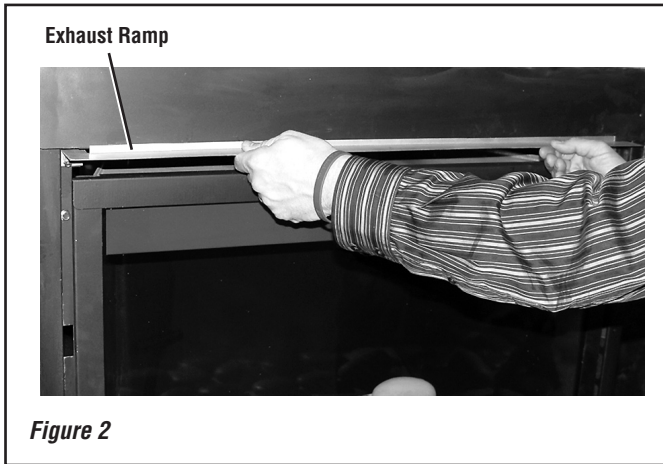


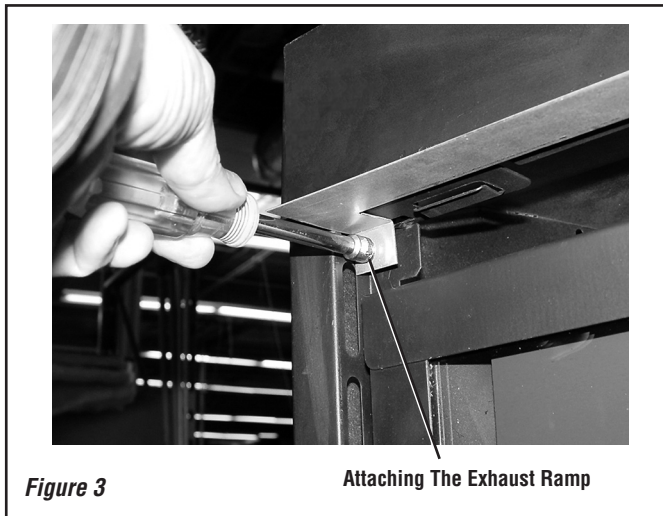
Figure 1

## INSTALLATION INSTRUCTIONS

**Step 1.** Install the exhaust ramp in the opening above the fire place front glass enclosure panel (see **Figure 2**).

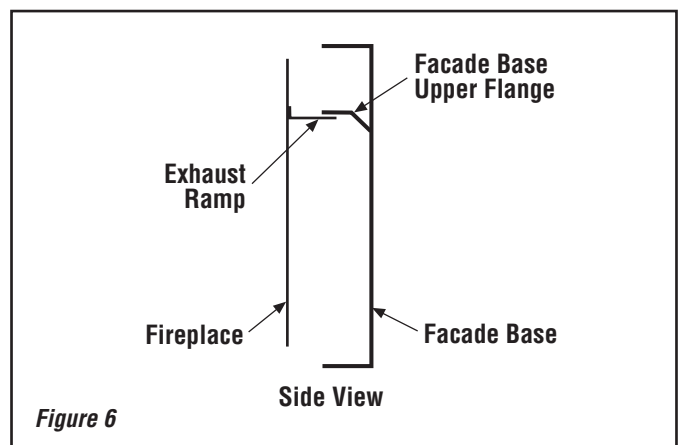
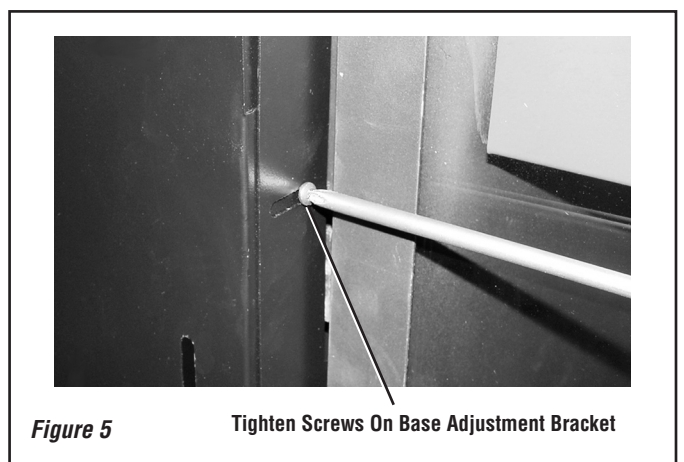
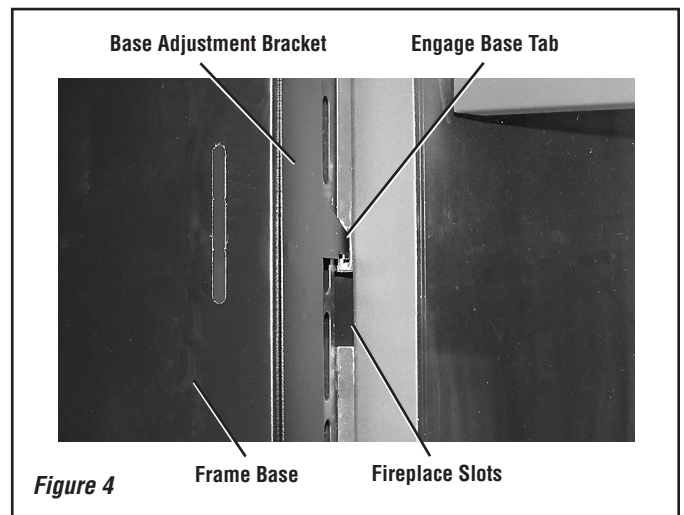


**Step 2.** Locate two screws (one left and one right) in the fireplace support structure (see **Figure 3**) and (using a 5/16" nut driver) remove them. Position the exhaust ramp and install it by replacing the screws that were removed.

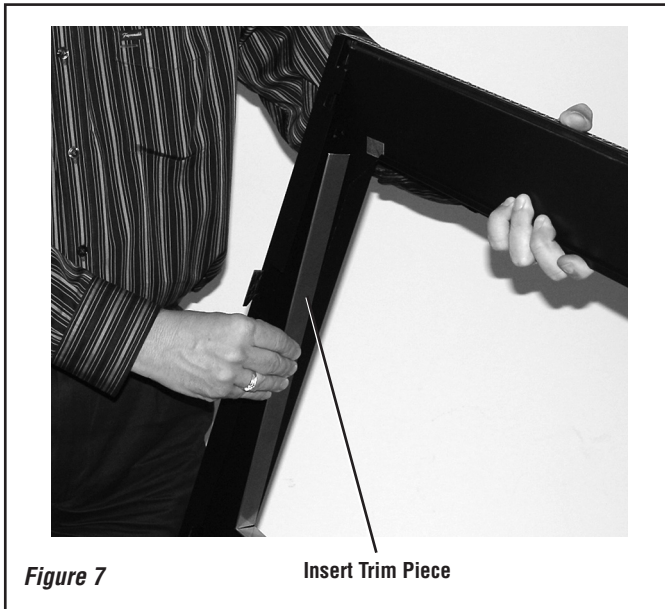


**Step 3.** Locate and loosen (using a Phillips screwdriver) two screws attaching the base adjustment bracket to the façade base. Hold the façade base in front of the fireplace and engage the base tabs in the slots on the fireplace (see **Figure 4**). Press the façade base back against the wall/finish materials as far as it will go and tighten the screws (see **Figure 5**).

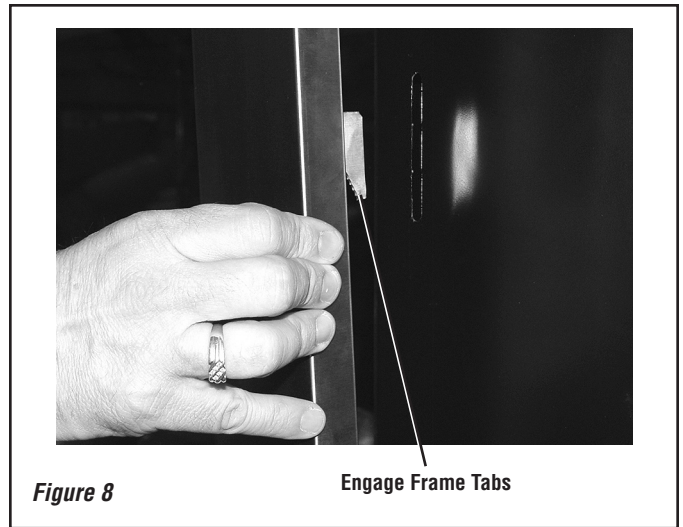
**IMPORTANT:** Ensure that the façade base upper flange is above the exhaust ramp. The exhaust ramp must be unobstructed and properly engaged with the façade base to allow the exhaust to escape from the fireplace (See **Figure 6**).



**Step 4.** Insert Selected trim pieces on the façade frame as indicated in *Figure 7*.



**Step 5.** Hold the façade frame in front of the façade base and align the tabs on the frame with the slots on the base (*see Figure 8*). Insert the tabs into the slots, taking care not to scratch the face of the base and engage the tabs by dropping the frame downwards. A slight amount of force may be necessary to snap the frame into place.



---

Lennox Hearth Products reserves the right to make changes at any time, without notice, in design, materials, specifications, prices and also to discontinue colors, styles and products. Consult your local distributor for fireplace code information.



**HEARTH PRODUCTS**

1110 West Taft Avenue • Orange, CA 92865

Printed in U.S.A. © 2009 by LENNOX

**P/N 506019-40 REV. N/C 04/2009**