

INSTALLATION INSTRUCTIONS FOR INSTALLING NAMEPLATE USED ON MODELS S160, SA160, SS210, ST210, S260 AND ST310 FREE-STANDING WOOD STOVES AND C160, C210, C260, E260, AND C310 FIREPLACE INSERTS



NAMEPLATE OPTIONS

This instruction sheet explains how to install a nameplate onto a wood-burning stove or insert. Your new Country Collection™ wood-burning appliance includes a nickel Country nameplate in the manual packet and a nickel Lennox™ nameplate installed on the appliance.

REPLACEMENT KIT CONTENTS (See Figure 2)

The contents below ship separately with Cat. # H8079 and H8080

- 1 ea. Instruction Sheet
- 2 ea. #6 x 1" Carriage Bolt (item #1)
- 2 ea. #6 Nut (item #2)
- 1 ea. Nameplate - Lennox (Gold or Nickel, item #3)
- 1 ea. Nameplate - Country (Gold or Nickel, item #3)

Cat. #	Description
H8079	Nameplate Kit with Hardware - Silver
H8080	Nameplate Kit with Hardware - Gold

TOOLS NEEDED

Open End Wrench - 5/16"

GENERAL INFORMATION

All of these parts may scratch and bend, great care should be used in handling them.

If you encounter any problems, need clarification of these instructions or are not qualified to properly install this kit, contact your local distributor or dealer. Read this instruction sheet in its entirety before beginning the installation.

ALL WARNINGS AND PRECAUTIONS IN THE INSTALLATION AND OPERATION MANUAL PROVIDED WITH THE APPLIANCE APPLY TO THESE INSTRUCTIONS.

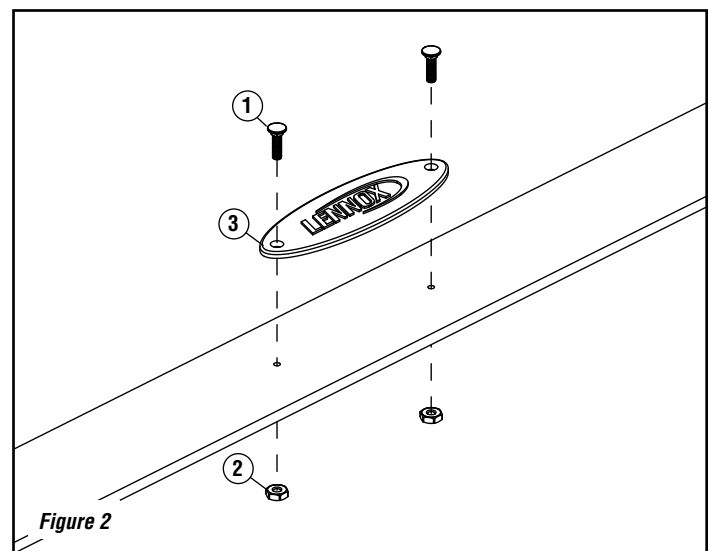
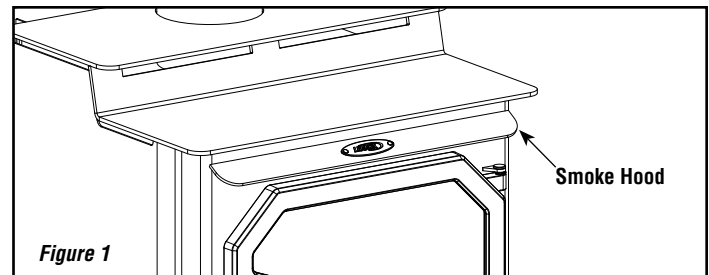
ALLOW THE STOVE OR INSERT TO COMPLETELY COOL BEFORE PROCEEDING.

INSTALLATION INSTRUCTIONS

- Step 1.** Align nameplate on the center of the smoke hood.
- Step 2.** Insert carriage bolts through nameplate and smoke hood.
- Step 3.** Open the firebox door to allow access to the underside of the smoke hood and secure the carriage bolts using the #6 nuts.

REMOVAL INSTRUCTIONS

Remove the nameplate in the reverse order of installation.



NOTE: DIAGRAMS & ILLUSTRATIONS ARE NOT TO SCALE.

Lennox Hearth Products reserves the right to make changes at any time, without notice, in design, materials, specifications, prices and the discontinuance of colors, styles and products. Consult your local distributor for fireplace code information.