



HEARTH PRODUCTS

HEARTH PRODUCTS
KITS AND ACCESSORIES

P/N 506033-17
Rev. A, 05/2009

PEDESTAL - WOODSTOVE OUTSIDE AIR KIT

INSTALLATION INSTRUCTIONS FOR INSTALLING OUTSIDE AIR KITS FOR USE WITH COUNTRY COLLECTION™ FREESTANDING WOODSTOVES WITH PEDESTALS



KIT CONTENTS

Please ensure that all these parts are included

- 1 ea. Pedestal Block-Off Plate
- 1 ea. 15" of 4" Diameter Aluminum Flex Ducting *(for through the floor ducting installations. Through the wall ducting is not provided)*
- 1 ea. Screen, 6" x 6-1/2"
- 2 ea. 10-24 x 1/2" Self-Tapping Hex Screws
- 2 ea. 1/4" x 5" Lag Screws
- 1 ea. Instruction Sheet

Outside Air Kit / Pedestal (all models)		
Cat. No.	Model	Where Used
71112	OUTAIRK-P	Outside Air Kit/Pedestal

TOOLS NEEDED:

- Flat Screwdriver
- 5/32" Allen Wrench Or T-Handle Wrench

GENERAL INFORMATION

If you encounter any problems, need clarification of these instructions or are not qualified to properly install this kit, contact you local distributor or dealer.

Read this instruction sheet in its entirety before beginning the installation.

ALL WARNINGS, PRECAUTIONS AND INSTRUCTIONS IN THE INSTALLATION AND OPERATION MANUAL PROVIDED WITH THE APPLIANCE APPLY TO THESE INSTRUCTIONS.

Check the contents of the kits upon receipt and check for any damaged or missing parts. If there is hidden damage, notify your freight company or Lennox Hearth Products dealer immediately.

CAUTION: Wear gloves during installation in case of sharp edges on the stove.

Manufactured (Mobile) Homes

In manufactured homes, this appliance must be bolted to the floor and properly grounded to the chassis. An outside air kit is also required. See the *Installation and Operation Manual* for details and additional requirements for manufactured home installations.

INSTALLATION INSTRUCTIONS

Step 1. Install the pedestal kit (sold separately) per the instructions provided in kit.

Step 2. Instructions for ducting THROUGH A FLOOR to a ventilated crawl space below a residence or ventilated skirting below a manufactured home (if ducting through wall, skip to step 3)

Mark and cut a 4" (102 mm) diameter hole in the floor and hearth per steps below. The hole's center should be 3" (76 mm) directly forward from the center of the flue outlet or locate as per the instructions below.

- a. Position the stove on your floor protection in the exact location where it is to be located, making sure all minimum clearances are met. Mark the floor protection where the pedestal will be located, then remove the stove.
- b. Make four 1-1/2" (38 mm) cuts in one end of the air ducting and fold the flaps back. Cut a 4" (102 mm) hole through the floor protection and the floor and insert the air ducting into the hole. Cover it with the supplied screen and fasten it to the floor protector, with the two lag screws provided.
- c. Locate the 11-1/2" x 14" (292 mm x 356 mm) metal plate, supplied with the outside air kit, and paint to match the stove if desired. Position this plate so that the 14" (356 mm) dimension evenly overlaps the lips on the back of the pedestal (see **Figure 1**). Attach this plate to the back of the pedestal with the self-tapping hex screws supplied.

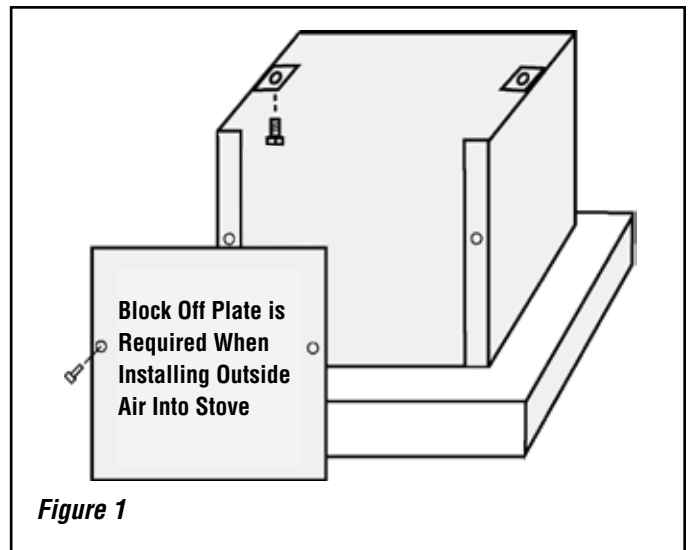
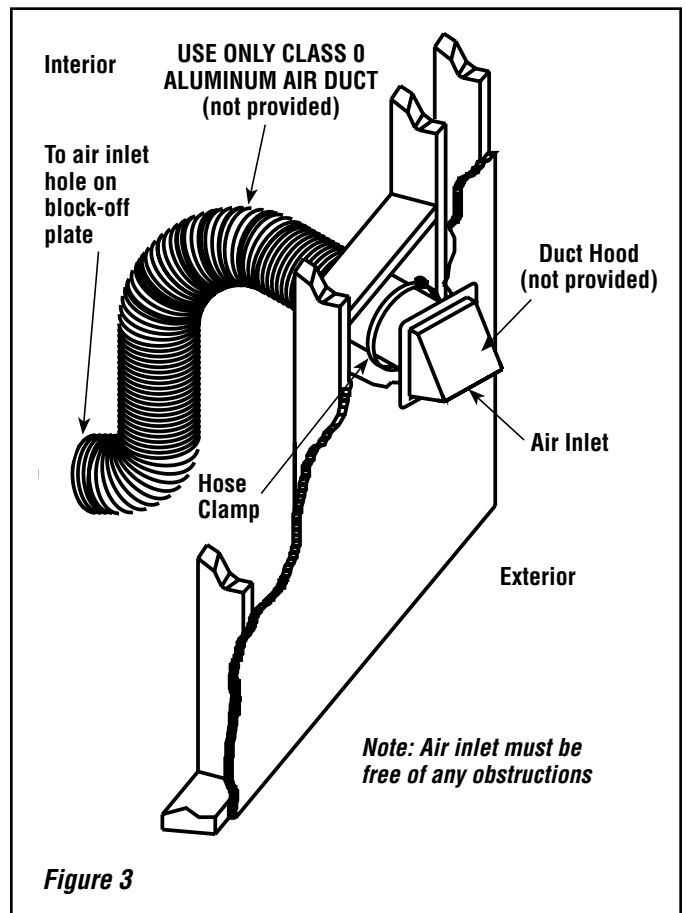
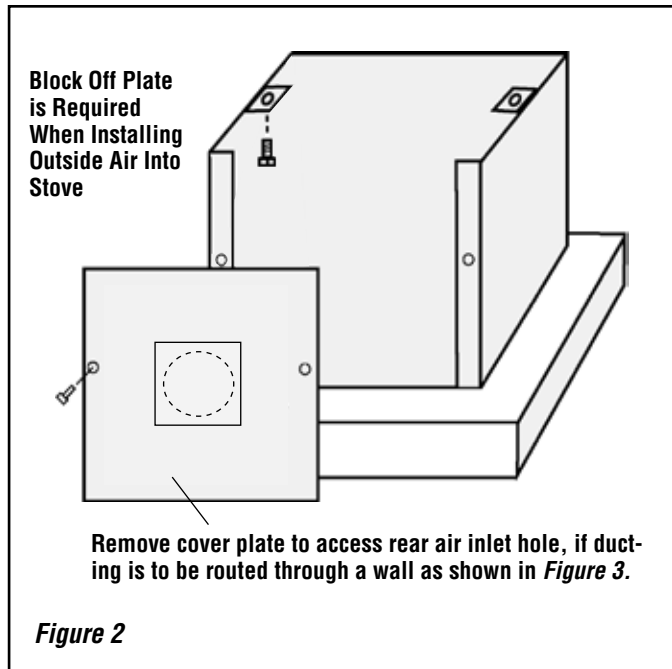


Figure 1

Step 2. When ducting THROUGH EXTERIOR WALL to the outdoors

Mark and cut a 4" (102 mm) diameter hole in the exterior wall per steps below.

- a. Locate the 11-1/2" x 14" (292 mm x 356 mm) metal block-off plate, provided, and paint to match the stove, if desired. Remove the cover plate (and discard) on the block-off plate to expose the 4" diameter hole (see **Figure 2**). Position the block-off plate so that the 14" (356 mm) dimension evenly overlaps the lips on the back of the pedestal (see **Figure 2**). Attach this plate to the back of the pedestal with the self-tapping screws supplied.
- b. Position the stove on your floor protection in the exact location where it is to be located, making sure all minimum clearances are met. Mark the exterior wall where the air duct can be easily routed to the air intake hole on the block-off plate (see **Figures 2 and 3**). Ensure you avoid all structural members of your house when cutting the hole.
- c. **Install as follows:** Connect the 4" (102 mm) air duct (not provided) into the hole on the block-off plate. Connect the other end of the duct to the duct hood using a hose clamp as shown in **Figure 3**.



Important Notes:

THE OUTSIDE AIR DUCT (NOT PROVIDED) MUST BE 4 INCH DIAMETER CLASS 0 ALUMINUM FLEXIBLE AIR DUCT.

*A screen and dryer duct hood as shown in **Figure 3** is recommended (not provided). We recommend that the inlet be at least 4 feet above grade level.*



NOTE: DIAGRAMS AND ILLUSTRATIONS ARE NOT TO SCALE.

Lennox Hearth Products reserves the right to make changes at any time, without notice, in design, materials, specifications, prices and also to discontinue colors, styles and products. Consult your local distributor for fireplace code information.

LENNOX
HEARTH PRODUCTS