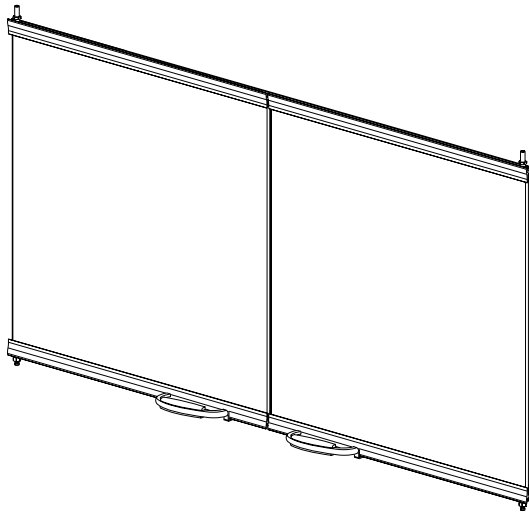


INSTALLATION INSTRUCTIONS FOR TPA AND TPAL TWIN PANE GLASS DOORS 36TPA-BB AND 42TPA-BB



The TPA Series Twin Pane glass door assemblies have been designed for use with and may be easily fitted to all of Lennox's Merit Plus Series 36 and 42 inch models.

Do not alter or modify these door assemblies or a fireplace malfunction or a fire hazard may result.

Models TPA doors have been tested and listed by Warnock Hersey Inc.

PLEASE RETAIN THIS MANUAL FOR FUTURE REFERENCE.

GENERAL INFORMATION

The door assembly consists of a right and left glass panel assembly with the door handles factory mounted. There are no additional parts that are required to install the TPA doors. Fireplaces and gas appliances listed on the front page of this document, have been designed to accept the TPA doors with minimum effort.

TOOLS REQUIRED

Medium Phillips Screwdriver • 3/8" Open-end wrench

INSTALLATION PROCEDURE

Step 1. See *Figure 1* and install the center clip with two screws in the firebox opening centered at the bottom.

Step 2. Starting with the lower end of either the right or left hand door hold the door at a slight angle to the door frame outer edge, with the top tilted toward the center. Swing the lower corner of the door over the hole in the lower frame and engage the lower pivot point pin into the hole on the lower frame of the firebox opening (see *Figure 2*).

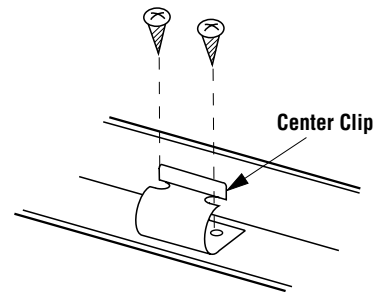


Figure 1

Step 3. Tilt the top of the door into place and carefully ensure that the upper pivot pin is in the upper door guide track.

Step 4. Continue to tilt the top of the door into place until the upper pivot pin engages the spring clip and the pivot pin locks into place within the hole of the spring clip (see *Figure 3*).

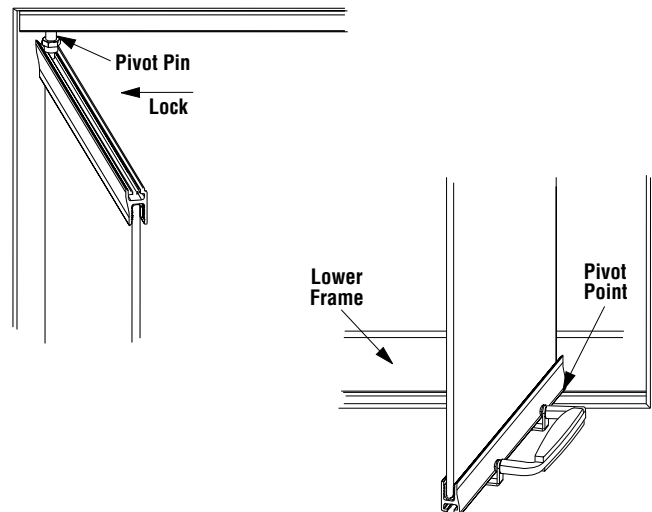


Figure 2

Step 5. Repeat this procedure for the opposite door assembly.



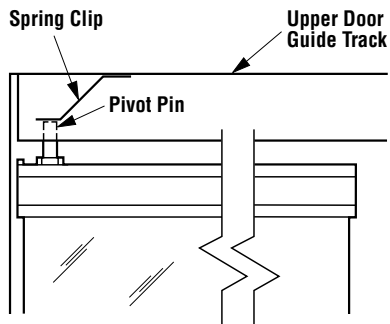


Figure 3

ADJUSTMENT FOR DOOR ALIGNMENT

The doors are properly adjusted when the top door trim is in a straight, level line and the gap between the doors is even at the top and bottom. If adjustments are required, grasp the door handle and loosen the lower door hinge pin using a 3/8" open end wrench*. Slide the door panel on the pivot pin until the gap between the upper door trim and upper frame is even. Retighten the lower door pivot pin*. Repeat this procedure for the opposite door if needed.

**Note: Upper door pivot pins can also be loosened for adjustment purposes; however, it is easier to loosen lower pins.*

GENERAL OPERATING PRECAUTIONS AND INSTRUCTIONS

CAUTION: THESE GLASS DOORS ARE LISTED ONLY FOR USE WITH THE FIREPLACE OR APPLIANCE MODELS SHOWN ON THE FRONT PAGE. USE ON ANY OTHER FIREPLACE OR APPLIANCE MAY CONSTITUTE A POTENTIAL FIRE HAZARD.

- Avoid building extremely large fires as the tempered glass could become damaged.
- Use fireplace tools carefully to avoid striking the glass.
- Keep wire mesh screens closed during fireplace use.
- The fireplace flue damper must remain open until fire is completely out.
- Assure wood and embers are well within the confines of the grate area and well away from the glass doors.
- Keep glass doors closed at night when retiring to minimize the loss of heated room air up the vent.

IMPORTANT: THE FINISH OF THESE DOORS MAY BE PROTECTED WITH A SELF ADHERING PLASTIC COATING THAT MUST BE REMOVED BEFORE HEAT IS GENERATED BY A FIRE IN THE FIREBOX. TO PREVENT MELTING, ENSURE THAT ANY PLASTIC COATING PROTECTING THE FINISH OF THESE DOORS IS REMOVED FOLLOWING INSTALLATION. REFER TO THE FIREPLACE INSTALLATION AND HOMEOWNER'S INSTRUCTIONS FOR DETAILED INSTRUCTIONS REGARDING THE MAINTENANCE OF THE FINISH OF THESE DOORS.

CAUTION: THE FRONT-OPEN FIREPLACE OR APPLIANCE SHOULD ONLY BE OPERATED WITH THE GLASS DOORS FULLY OPEN OR FULLY CLOSED.

CAUTION: MULTI-OPEN FIREPLACES MUST BE OPERATED WITH THE GLASS DOORS FULLY CLOSED.

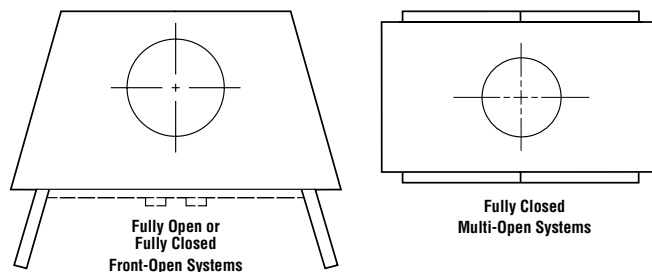


Figure 4

CAUTION: GLASS AND METAL FRAMES GET HOT — ALWAYS USE HANDLES TO OPEN AND CLOSE THE DOORS.

CLEANING

NEVER CLEAN THE GLASS WHEN THE DOORS ARE HOT. DO NOT USE AMMONIA OR ANY AMMONIA BASED GLASS OR HOUSEHOLD CLEANER TO CLEAN THE GLASS OR THE DOOR FRAME. AN AMMONIA BASED CLEANER WILL DAMAGE THE FINISH.

Remove dirt and grime from the doors using a clean dampened towel followed by wiping with a dry towel. To remove stubborn stains from the doors, use a mild soap solution and towel to gently scrub away stain. Take care not to scratch the glass surface. Do not use abrasive cleaners.

IMPORTANT: THESE GLASS DOORS UTILIZE TEMPERED GLASS WHICH IS DESIGNED FOR USE WITH HIGH TEMPERATURES BUT CAN UNEXPECTEDLY SHATTER. DO NOT SIT CLOSE TO THE GLASS.

Tempered glass will break into small particles if it should shatter unexpectedly. If the glass breaks, particles of extremely hot glass could be discharged into the surrounding environment, thereby creating a risk of personal injury or fire. Observation of the above operating precautions and instructions will reduce the risk of personal injury or fire.

Extreme temperature changes can cause breakage — do not build a hot fire and close the doors if the doors are cold.

If the tempered glass pane becomes scratched or chipped, it creates a weakness in the glass which can cause the glass to break when heated. Replace the pane of glass by contacting your nearest distributor or dealer.

WARNING: DO NOT BURN TRASH, CONSTRUCTION SCRAPS, RAILROAD TIES, OR OTHER HIGHLY-FLAMMABLE MATERIAL IN THE FIREPLACE. INTENSE HEAT CAN CAUSE THE GLASS TO LOSE STRENGTH AND RESILIENCE WHICH WILL RESULT IN GLASS BREAKAGE.

NOTE: DIAGRAMS & ILLUSTRATIONS NOT TO SCALE.

The manufacturer reserves the right to make changes at any time, without notice, in design, materials, specifications, prices and also to discontinue colors, styles and products. Consult your local distributor for fireplace code information.