



HEARTH PRODUCTS

WOOD BURNING FIREPLACES
KITS AND ACCESSORIES

750,140M
10/2005

OUTDOOR WEATHER COVER

INSTALLATION INSTRUCTIONS FOR LENNOX STAINLESS STEEL OUTDOOR WEATHER
COVERS 43L-ODC (P/N H0321), 42-ODC (P/N H1938) & 36-ODC (P/N H1937)

GENERAL INFORMATION

The Stainless Steel Outdoor Weather Cover, is an available accessory to provide protection for the interior of your Lennox outdoor fireplace. The cover is designed to fit over the optional doors, which are available from Lennox Hearth Products.

INSTALLATION INSTRUCTIONS

To install the weather cover, refer to **Figure 1** and follow the steps outlined below:

Note: Be sure to close the doors (if installed) before putting the cover in place.

Step 1. Insert the upper flange of the cover into the fireplace door track.

Step 2. Push the bottom towards the fireplace, while pushing the cover up at the same time.

Note: It may be necessary to push the bottom end flange corner upwards to go over the doors support frame. Repeat the same procedure on the other side of the cover. It may be necessary to push the bottom center firmly as well.

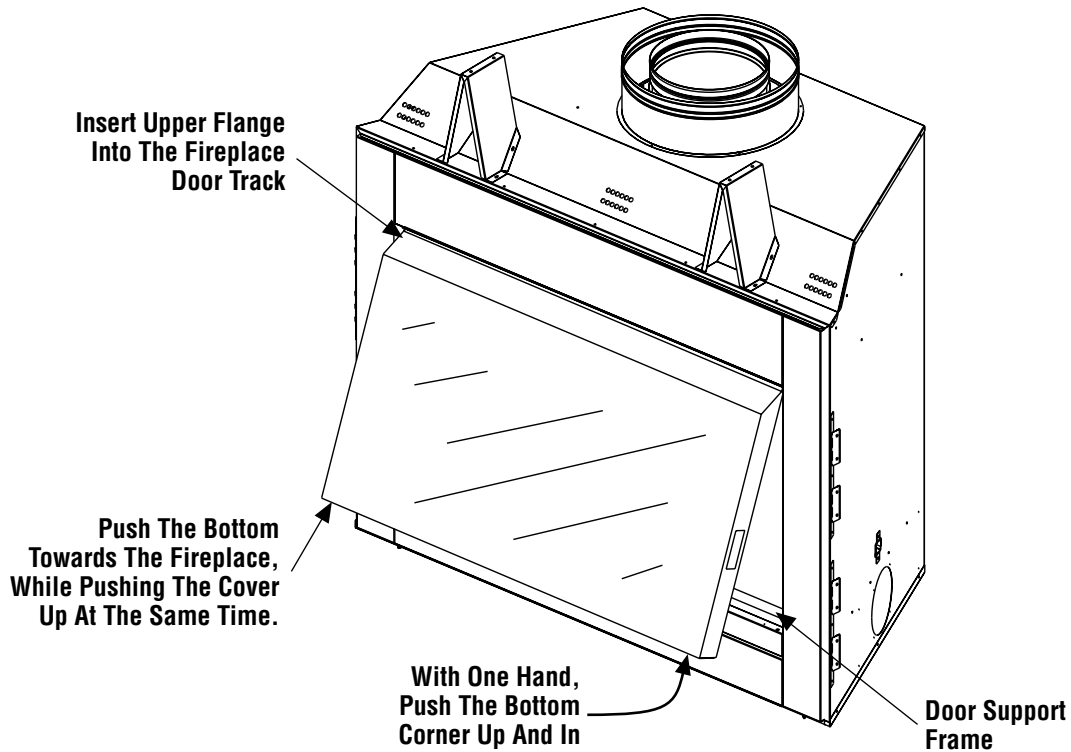


Figure 1

NOTE: DIAGRAMS & ILLUSTRATIONS NOT TO SCALE.

Lennox Hearth Products reserves the right to make changes at any time, without notice, in design, materials, specifications, prices and also to discontinue colors, styles and products. Consult your local distributor for fireplace code information.