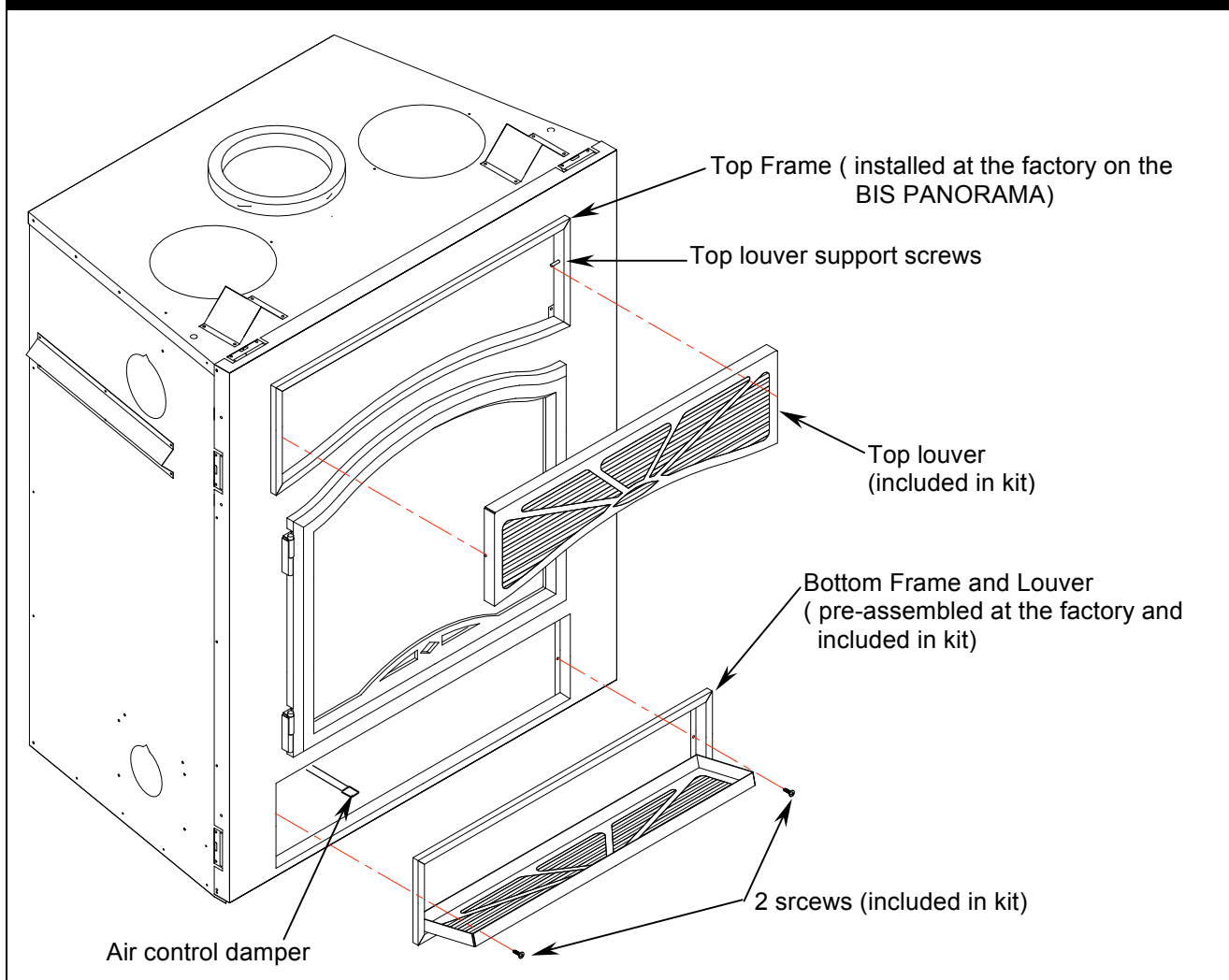


LOUVERS INSTALLATION



Installation of the Top Louver

- Insert the louver in the top opening, holding it straight and as close as possible to the inside top frame.
- Then lower the louver, attaching it to the support screws inside the frame.

Installation of the Bottom Frame and Louver

- Insert the frame and louver in the bottom opening.
- Make sure that the air damper control lever, on the left side, is in its correct position, between the frame and the louver.
- Once in position open the louver and attach the frame to the unit using the screws (2) included in the packaging.

SECURITY CHIMNEYS INTERNATIONAL LTD

2125 MONTEREY St. • LAVAL, QUEBEC., CANADA • H7L 3T6 • ☎ (450) 973-9999