



HEARTH PRODUCTS

HEARTH PRODUCTS
KITS AND ACCESSORIES

P/N 506019-64, Rev. NC
09/2010

REFRACTORY BRICK PANELS

INSTRUCTIONS FOR INSTALLING REFRACTORY BRICK PANELS IN ESTATE™ SERIES WOOD-BURNING FIREPLACES (MODELS EST-36, EST-42, EST-50)

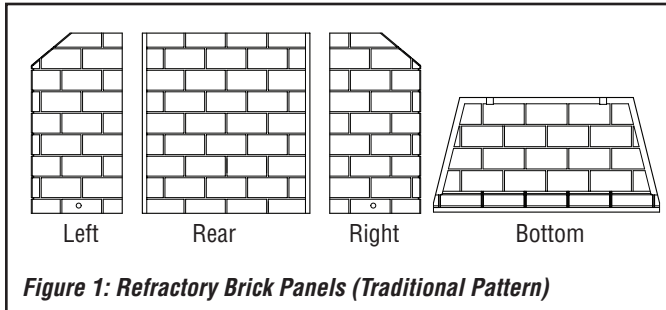


Figure 1: Refractory Brick Panels (Traditional Pattern)

KIT CONTENTS

- (1) ea. Left Side Refractory Panel
- (1) ea. Right Side Refractory Panel
- (1) ea. Back Refractory Panel
- (1) ea. Bottom Refractory Panel

The following items, required for this installation, are packaged in the fireplace literature kit bag:

- (2) ea. Grate Brackets
- (2) ea. Refractory Brackets (EST-36 and EST-42 only)

REQUIRED TOOLS

- Box Cutters or Scissors
- 1/4" Nut Driver
- Phillips Screwdriver
- Large Flathead Screwdriver

GENERAL INFORMATION

This kit contains four refractory brick panels (two sides, one back, one bottom) and instructions for their installation in Lennox Hearth Products Estate™ Series wood-burning fireplaces, models EST-36, EST-42, and EST-50.



Estate™ Series Model EST-42 with Installed Refractory Brick Panels (Traditional Pattern)

INSTALLATION INSTRUCTIONS

INSTALLER NOTICE:

- READ ALL THE STEPS BEFORE STARTING THE INSTALLATION.
- THESE INSTRUCTIONS MUST BE LEFT WITH THE APPLIANCE.
- ALL WARNINGS, PRECAUTIONS, AND INSTRUCTIONS IN THE INSTALLATION INSTRUCTIONS AND CARE AND OPERATION MANUALS PROVIDED WITH THE APPLIANCE ALSO APPLY TO THESE INSTRUCTIONS.
- IF YOU ENCOUNTER ANY PROBLEMS, NEED CLARIFICATION OF THESE INSTRUCTIONS, OR ARE NOT QUALIFIED TO PROPERLY INSTALL THIS KIT, CONTACT YOUR LOCAL DISTRIBUTOR OR DEALER.



Step 1. Uncrate refractory panels.

1.1. See **Figure 2**, below. Remove screws from metal pallet brackets on outside of pallet assembly.

1.2. Remove top part of pallet assembly.

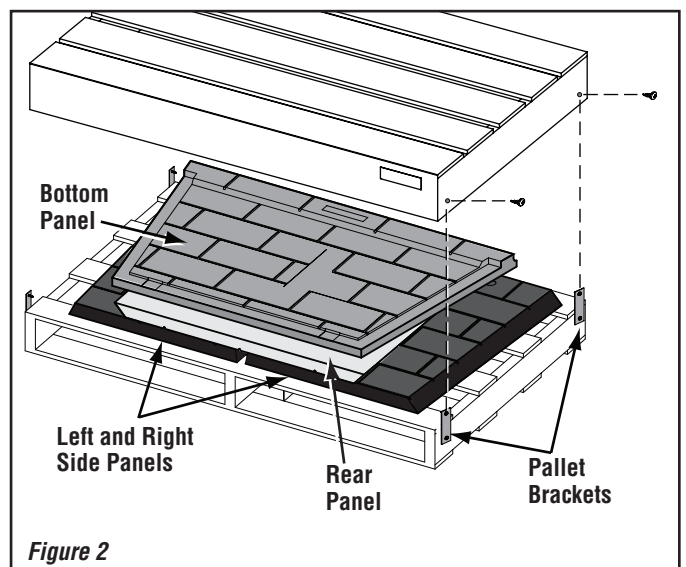
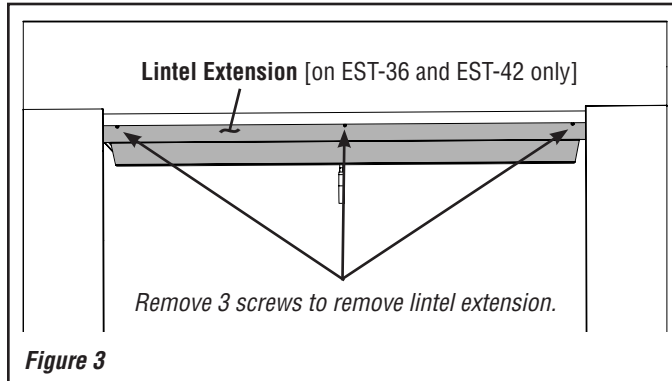


Figure 2

Step 2. [EST-36/EST-42] Remove lintel extension.

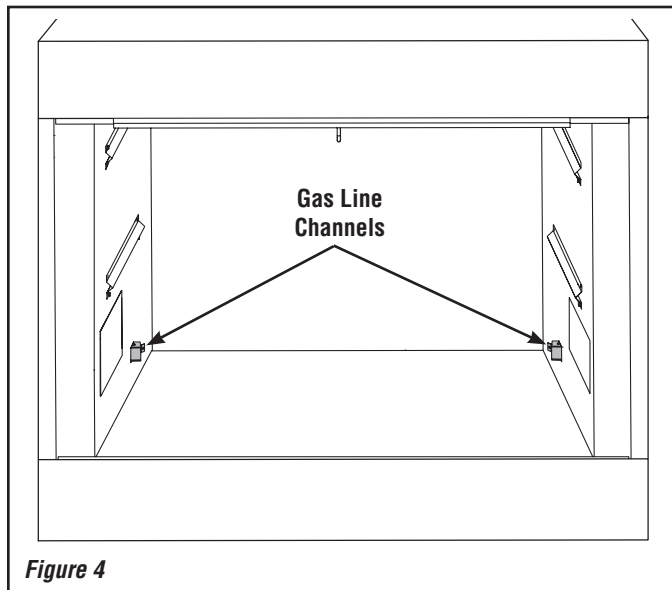
- 2.1. See **Figure 3, below**. Using a 1/4" nut driver, remove the lintel extension by removing three screws.
- 2.2. Retain the lintel extension and screws for later reinstallation.



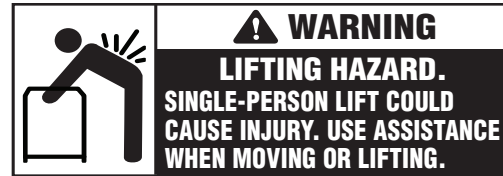
Step 3. Adjust position of gas line channels.

Each gas line channel must be adjusted to provide clearance for installation of the bottom panel.

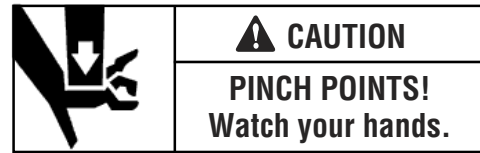
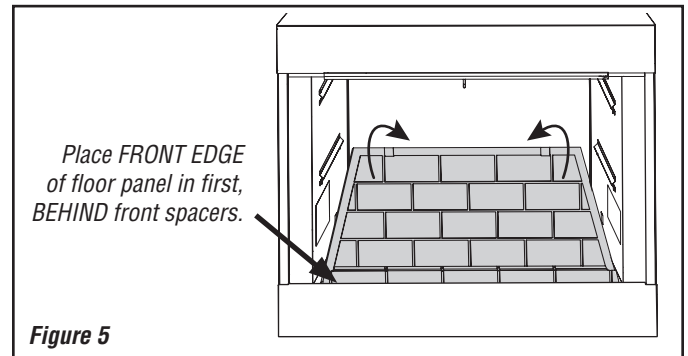
- 3.1. See **Figure 4 (below)** for location of gas line channels.
- 3.2. Using a hammer, gently tap each gas line channel from inside the firebox, until each is **FLUSH** with the **INSIDE FIREBOX WALL**.



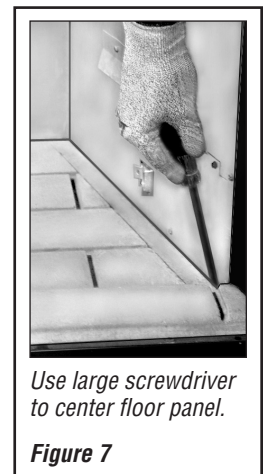
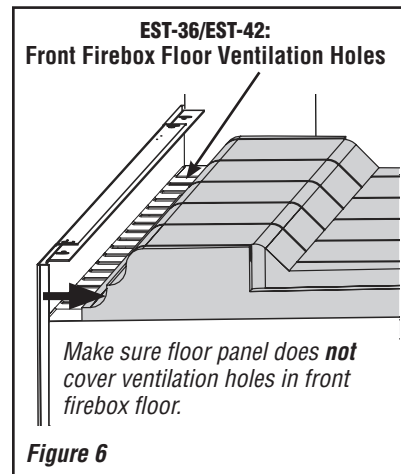
Step 4. Install bottom (floor) refractory panel.



- 4.1. Using at least two (2) people, hold the bottom (floor) panel by its **SIDE EDGES**.
- 4.2. Place the **FRONT EDGE** of floor panel into the firebox first, behind the front firebox spacers (**Figure 5, below**).



- 4.3. Carefully lower the **BACK EDGE** of the panel. When it is close to the rear firebox wall, let go of the panel to drop it into position, **taking care not to pinch your fingers between the panel and the firebox**.
- 4.4. **EST-36/EST-42:** Push the floor panel as far back as it will go, so the front edge is **BEHIND** the front firebox spacers and **NOT** covering the front floor ventilation holes (**Figure 6, below**).
- 4.5. **ALL MODELS:** Insert a large flat screwdriver between the floor panel and the firebox wall to center the floor panel (**Figure 7, below**).



Step 5. Install grate brackets and rear panel.

5.1. Refer to **Figure 8, below**. Place the two grate brackets in the indentations in the back recessed edge of the floor panel.

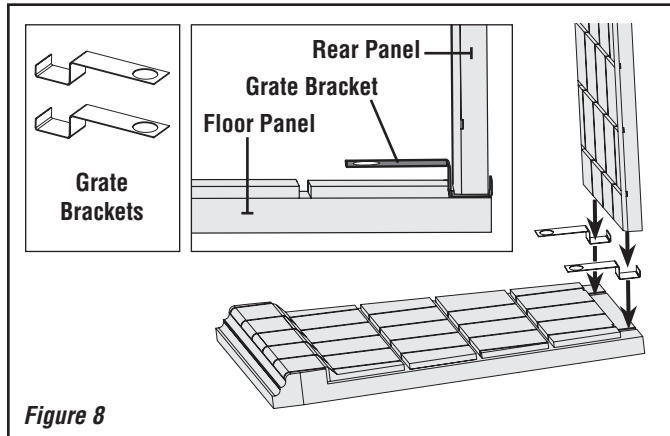


Figure 8

5.2. **Using at least two (2) people**, hold the rear panel by the side edges, with the **top edge up** (**Figure 9, below**).

NOTE: The top edge of the rear panel is marked "TOP."

5.3. Place the **BOTTOM EDGE** of the rear panel on top of the two grate brackets (as shown in **Figure 8, above**) and push the rear panel back against the rear wall of the firebox.

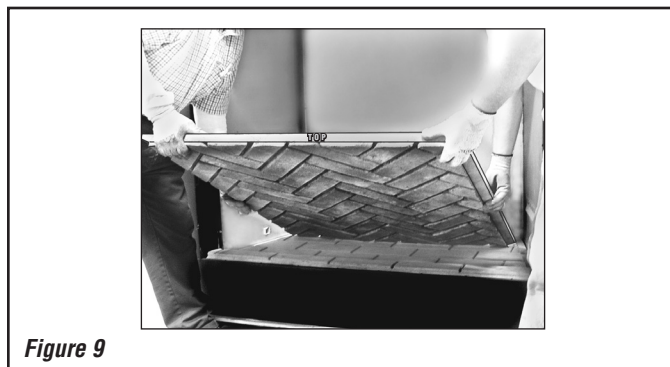


Figure 9

5.4. **EST-36/EST-42:** Refer to **Figure 10, below**. Rotate the rear spacer bracket 90° **COUNTER-CLOCKWISE**, and then push the rear panel flat against the rear wall of firebox.

5.5. **EST-36/EST-42:** Temporarily secure the rear panel with one of the supplied refractory clips and a screw.

NOTE: The rear clip will be used only temporarily, to hold the rear panel in place while installing the side panels.

EST-50: Snap the top of the panel into the factory-installed bracket on the rear firebox wall.

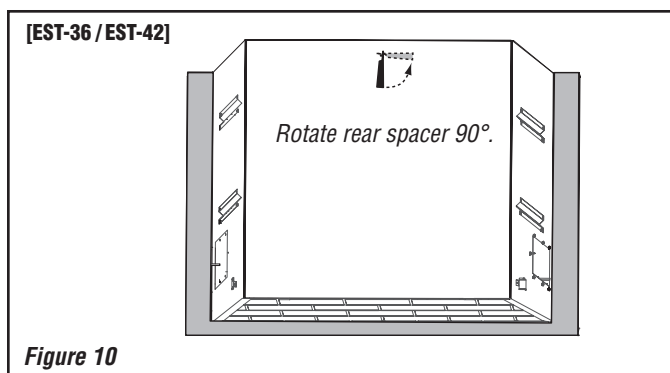


Figure 10

Step 6. Install side panels.

6.1. Identify the **LEFT** and **RIGHT SIDE** refractory panels, as shown in **Figure 11, below**.

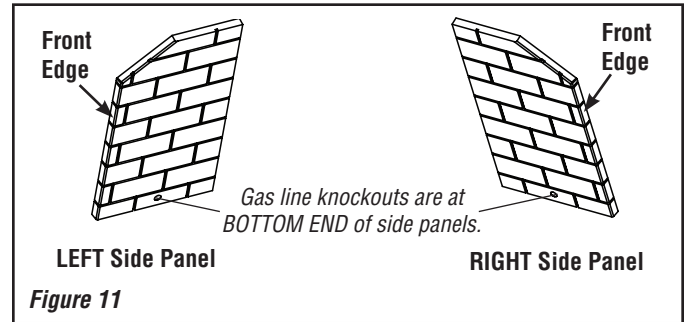


Figure 11

6.2. While holding the **LEFT SIDE PANEL** in the correct position, place the **BOTTOM EDGE** into the firebox first; then push the panel up against the firebox wall (see **Figure 12, below**).

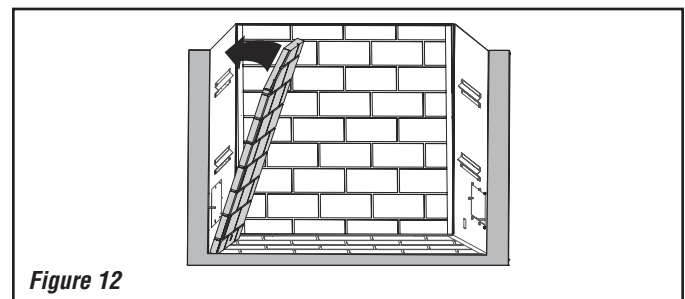


Figure 12

6.3. Pull the side panel **FORWARD**, until it is sitting flush with the **FRONT** edge of the firebox wall and flush on top of the floor panel.

6.4. **EST-50:** Snap the top of the panel into the factory-installed side bracket; repeat these steps for the other panel; then **skip to Step 7**.

The remainder of these steps apply to EST-36 and EST-42 only:

6.5. Using a 1/4" nut driver, secure the top of the side panel in place by screwing the remaining supplied refractory clip into the firewall.

NOTE: The other refractory clip must remain holding the rear panel in place until the other side panel is installed.

6.6. Install the other side panel and pull it **FORWARD**, until it is flush with the front firebox wall and flush on top of the floor panel.

6.7. Remove the refractory clip temporarily holding the rear panel in place, and install it on the side wall to secure the second side panel.

6.8. Pull the top of the rear panel forward, so it is flush against the back edges of the side panels (**Figure 13, below**). This allows air to circulate behind the rear panel.

6.9. Rotate the rear spacer bracket 90° **CLOCKWISE**, to a **VERTICAL** position behind the rear refractory panel (see **Figure 13, below**, also refer to **Figure 10, at left**).

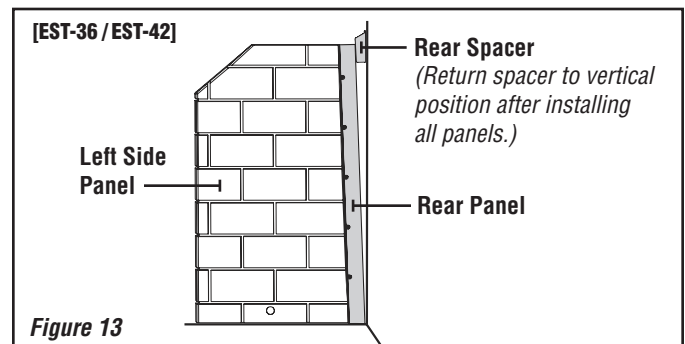
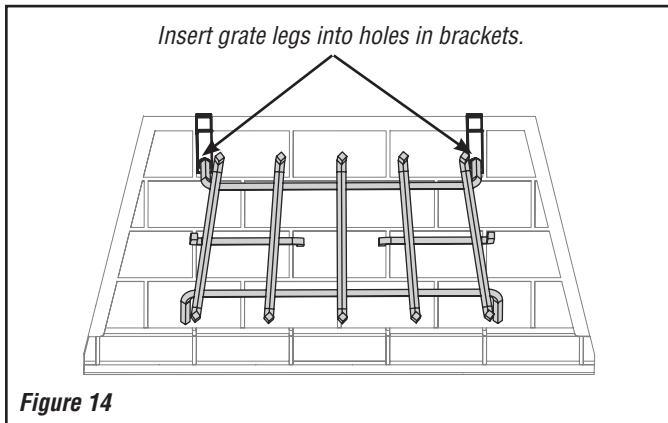


Figure 13

Step 7. Install grate.

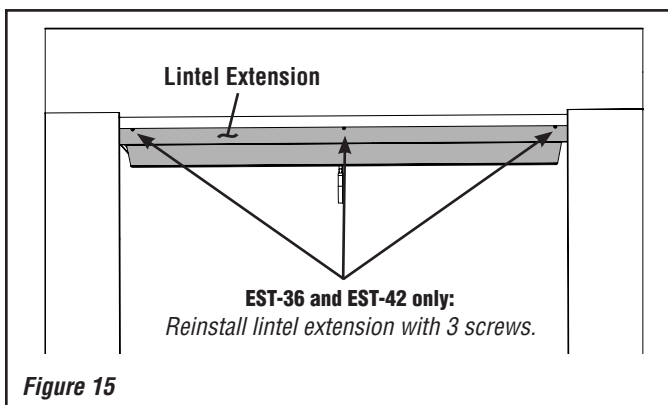
7.1. Install the grate by inserting the two rear legs into the holes in the grate brackets.

NOTE: The rear legs are spaced closer together than the front.



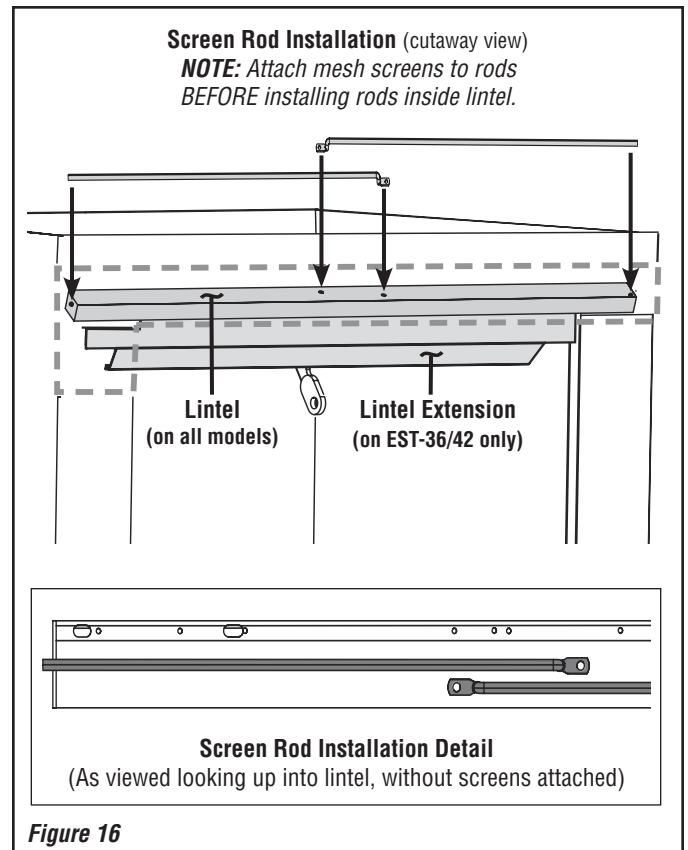
Step 8. [EST-36/EST-42] Reinstall lintel extension.

8.1. See **Figure 15, below**. Reinstall the lintel extension using the three (3) screws previously removed.



Step 9. Install mesh firescreens.

- 9.1. Place one of the provided screen rods through the loops at the top of one of the provided mesh firescreens.
- 9.2. Insert the straight end of the rod into the hole inside one end of the lintel, as shown in **Figure 16, below**.
- 9.3. Using a 1/4" nut driver and one of the provided screws, attach the other end of the rod to the top inside of the lintel, as shown in **Figure 16, below**.
- 9.4. Repeat these steps for the other rod and firescreen.



Step 10. Install optional bi-fold glass doors.

Optional bi-fold glass doors can be installed in front of the firescreens. For information, see the "Accessories" section in the fireplace *Care and Operation* manual (P/N 506025-04).

NOTE: DIAGRAMS & ILLUSTRATIONS ARE NOT TO SCALE.

Lennox Hearth Products reserves the right to make changes at any time, without notice, in design, materials, specifications, and prices, and also to discontinue colors, styles, and products. Consult your local distributor for fireplace code information.

LENNOX
HEARTH PRODUCTS

Printed in U.S.A. © 2010 by Lennox Hearth Products

1508 Elm Hill Pike, Suite 108, Nashville, TN 37210