



HEARTH PRODUCTS

LENNOX HEARTH PRODUCTS
KITS AND ACCESSORIES

750,218M REV. A
05/2006

DUAL ARCH SCREEN PANEL KITS
ELDV-35/40/45 SERIES

**INSTALLATION INSTRUCTIONS FOR OPTIONAL ARCH SCREEN PANEL KITS
FOR USE WITH ELDV35, ELDV40 AND ELDV45 SERIES GAS FIREPLACES**

Cat. No.	Model	Description	Model Series
H4688	DASK-DV35	Dual Arch Screen Kit - DV35	ELDV35
H4689	DASK-DV40	Dual Arch Screen Kit - DV40	ELDV40
H4690	DASK-DV45	Dual Arch Screen Kit - DV45	ELDV45

Table 1 - Arch Screen Panel Kits

Item#	Quantity	Description
1	1 ea.	Screen Assembly
2	2 ea.	Bottom Legs
3	2 ea.	Long Screws
4	2 ea.	Medium Screws
5	4 ea.	Short Screws
6	2 ea.	Long Spacers
7	2 ea.	Short Spacers
8	4 ea.	Sliding Bracket A
9	4 ea.	Sliding Bracket B
10	6 ea.	Nuts
11	2 ea.	L-Brackets
12	4 ea.	Wing Nuts
13	1 ea.	Instruction Sheet

Table 2 - Kit Contents (item numbers correspond to Figure 1)

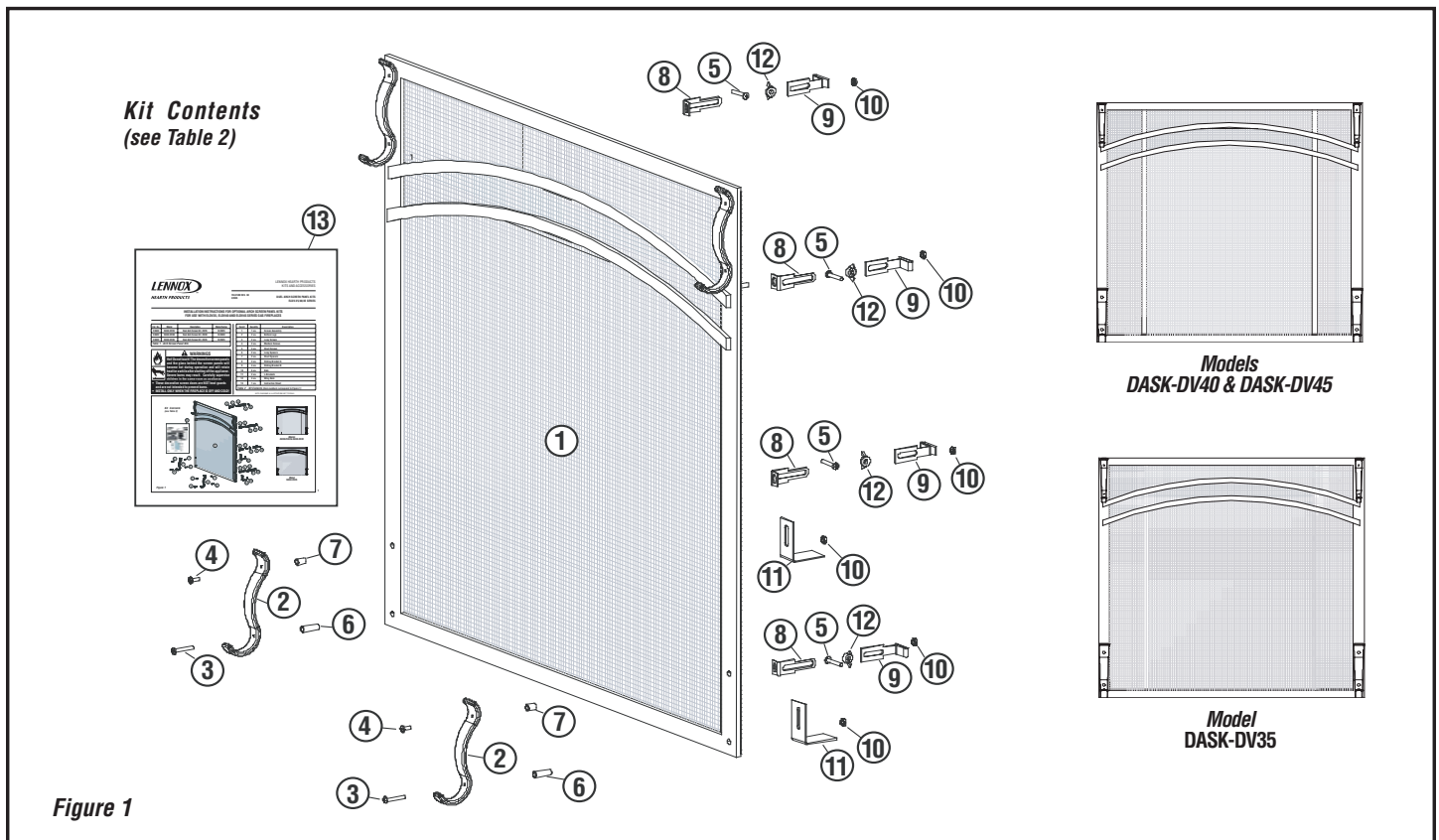
NOTE: DIAGRAMS & ILLUSTRATIONS NOT TO SCALE.




⚠ WARNINGS

Hot! Do not touch! The decorative screen panels and the glass behind the screen panels will become hot during operation and will retain heat for a while after shutting off the appliance. Severe burns may result. Carefully supervise children in the same room as appliance.

- These decorative screen doors are NOT heat guards and are not intended to prevent burns.
- **INSTALL ONLY WHEN THE FIREPLACE IS OFF AND COLD!**



TOOLS REQUIRED

- 7/16" End Wrench
- 7/32" Allen Wrench

GENERAL INFORMATION

These optional decorative screen panels are designed to enhance the beauty of the fireplace. If you encounter any problems, need clarification of these instructions or are not qualified to properly install this kit, contact your local distributor or dealer.

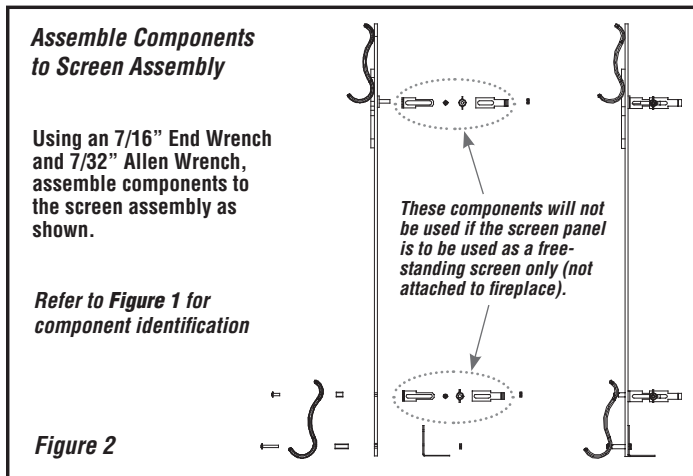
IMPORTANT

To minimize possible exposure to hot surfaces, it is strongly recommended that the screen assembly is secured to the fireplace front if small children are present in the home (see Step 4).

INSTALLATION INSTRUCTIONS

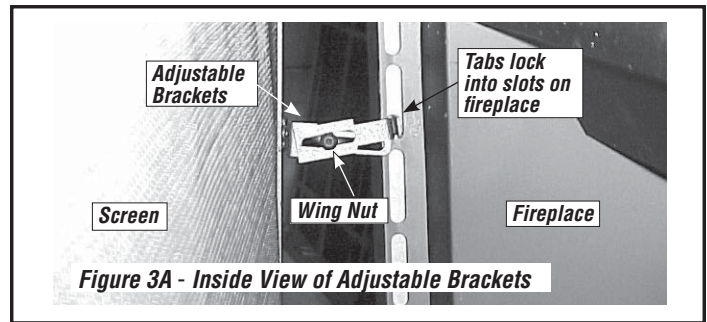
Screen Panel Assembly Instructions

- Step 1.** Using an 7/32" Allen Wrench and 7/16" End Wrench, loosely assemble the parts as shown in **Figure 1** and **Figure 2** (do not tighten yet). **Note:** If the screen panel is to be used as a freestanding screen only (not attached to fireplace), do NOT use the sliding brackets with screws and wing nuts (circled in **Figure 2**). If the screen panel is to be secured to the front of the fireplace these parts should be assembled to the screen panel (ref. **Step 4**).
- Step 2.** Adjust the L-Bracket to height needed for this installation (slot allows up to 1 inch vertical adjustment). When you are satisfied that the screen will stand stable in front of the fireplace, then tighten the nuts on both sides.
- Step 3.** The assembled screen is ready to be used as a freestanding screen placed in front of the fireplace when in use (in a close proximity to the glass door) or if it is desired it can be assembled to the face of the appliance per instructions in **Step 4**. ****Read IMPORTANT note above****



Install Screen Panel onto Fireplace Front (optional)

- Step 4. (optional) Secure the screen assembly to fireplace face** - Adjust the sliding brackets to the thickness needed for the screen to fit nearly flush with the fireplace front & finish facing. Rotate tabs on sliding brackets to lock in place per instructions in **Figures 3a, 3b & 4**.



1. Slightly tighten the 2 nuts on right side of screen which secure sliding brackets to screens (loose enough so brackets can be rotated in instruction number 3 below). Snugly tighten the 2 nuts on the left side of the screen (with brackets rotated in the locking position - B).
2. Adjust the four sliding bracket assemblies to the thickness needed for a near flush fit to facing, then tighten wing nuts.
3. Rotate the right side tabs from position A to position B to lock in place.

Note: Tabs should fit into slots as shown in **Figure 3A**. Adjust alignment if necessary.

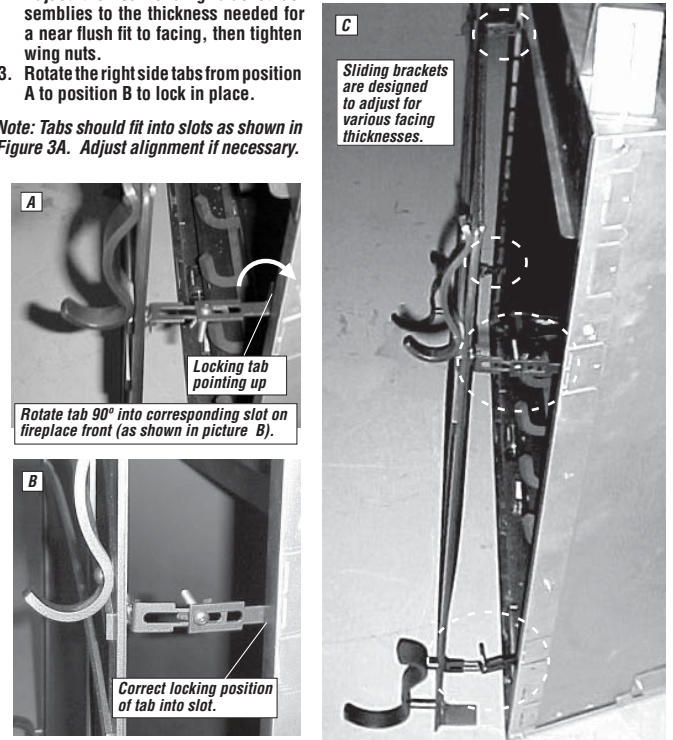


Figure 3B - Assemble Screen Assembly to Fireplace

Completed Installation

Figure 4

NOTE: DIAGRAMS & ILLUSTRATIONS NOT TO SCALE.

Lennox Hearth Products reserves the right to make changes at any time, without notice, in design, materials, specifications, prices and the discontinuance of colors, styles and products. Consult your local distributor for fireplace code information.