



HEARTH PRODUCTS

HEARTH PRODUCTS
KITS AND ACCESSORIES

P/N 750,098M
Rev. D 03/2008

**DOOR FRAME KITS
WITH BRASS OR
BRUSHED STAINLESS TRIM**

**INSTALLATION INSTRUCTIONS FOR DOOR FRAME KITS WITH BRASS TRIM
OR BRUSHED STAINLESS TRIM FOR USE WITH LENNOX GAS FIREPLACES**

GENERAL INFORMATION

These door frame kits may be used with the Lennox gas fireplaces (listed in the tables below) to enhance the appearance of the fireplace. These kits contain either four trim pieces (one top, one bottom, and two side pieces) or two trim pieces (one top and one bottom). They also contain these instructions. See **Table 1** for the two-piece brass and brushed stainless door frame kit applications and **Table 2** for four-piece brass and brushed stainless door frame kit applications.

2-PIECE BRASS AND BRUSHED STAINLESS STEEL TRIM KIT APPLICATION - TABLE 1				
POLISHED BRASS		BRUSHED STAINLESS		
CATALOG NO.	MODEL NO.	CATALOG NO.	MODEL NO.	MODEL SERIES
98L18	2DFK33PB	98L19	2DFK33BS	MTD3328, MDR3328, MPDT-3328, MPDR-3328
26M88	2DFK35PB	26M91	2DFK35BS	MPD-3530, MPB35ST, MPD35ST/PF
26M89	2DFK40PB	26M92	2DFK40BS	MPD-4035
26M90	2DFK45PB	26M93	2DFK45BS	MPD-4540
H7020	2DFK22PB	H7021	2DFK22BS	MPD35PF

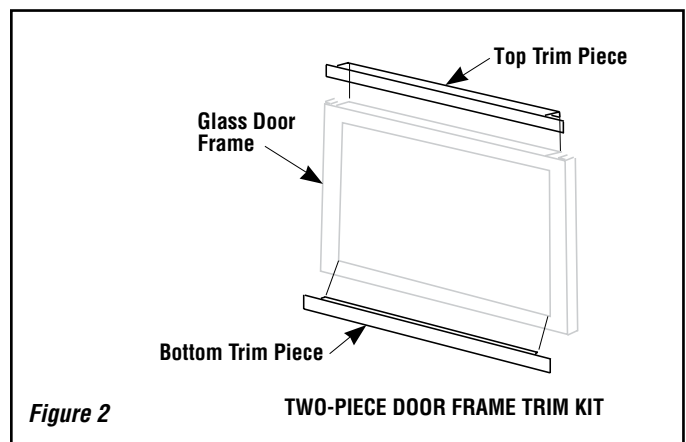
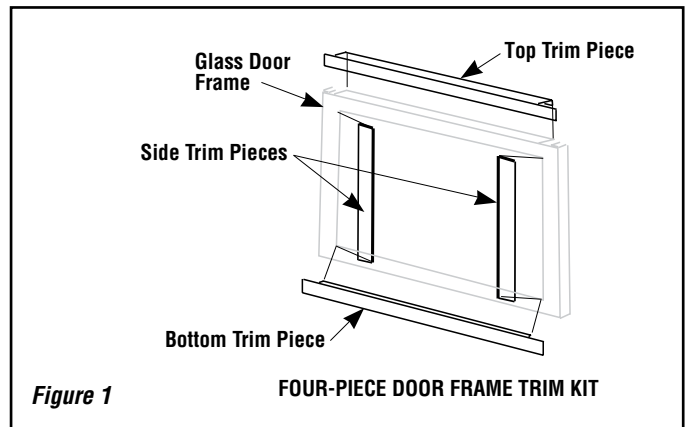
4-PIECE BRASS AND BRUSHED STAINLESS STEEL TRIM KIT APPLICATION - TABLE 2				
POLISHED BRASS		BRUSHED STAINLESS		
CATALOG NO.	MODEL NO.	CATALOG NO.	MODEL NO.	MODEL SERIES
98L22	4DFK33PB	98L23	4DFK33BS	MTD3328/MDR3328 MPDT-3328, MPDR-3328
26M82	4DFK35PB	26M85	4DFK35BS	MPD-3530, MPB35ST, MPD35ST/PF
26M83	4DFK40PB	26M86	4DFK40BS	MPD-4035
26M84	4DFK45PB	26M87	4DFK45BS	MPD-4540
H7030	4DFK22PB	H7031	4DFK22BS	MPD35PF

INSTALLATION INSTRUCTIONS

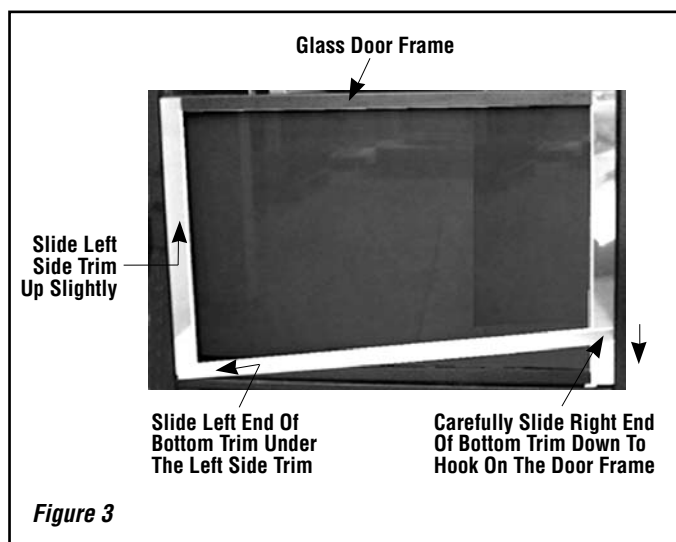
- Step 1.** Turn off the fireplace and allow it to cool before performing the assembly tasks detailed here.
- Step 2.** Remove the protective film from the polished brass or brushed stainless trim components. Handle trim pieces carefully in order to prevent them from being damaged.

Step 3. **Four-piece Trim Kit Applications** - Slide the short flange of the two side pieces of trim between the door frame and the glass, each centered vertically, one at the left and one at the right side of the frame. See **Figure 1**.

Step 4. Slide the short flange of the bottom trim piece between the glass and the door frame. See either **Figure 1 or 2**.



Note: The left side trim piece will need to be lifted up slightly, in order to allow the bottom trim piece to slide into place (see **Figure 3**).



Step 5. Hook the top trim piece over the top flange of the door frame, centered horizontally at the top of the frame. Refer to either **Figure 1 or 2**.

NOTE: DIAGRAMS & ILLUSTRATIONS NOT TO SCALE.

Lennox Hearth Products reserves the right to make changes at any time, without notice, in design, materials, specifications, prices and also to discontinue colors, styles and products. Consult your local distributor for fireplace code information.