

INSTALLATION INSTRUCTIONS FOR DECORATIVE TRIM PANEL KITS FOR USE WITH THE BELLA™ PELLET STOVE



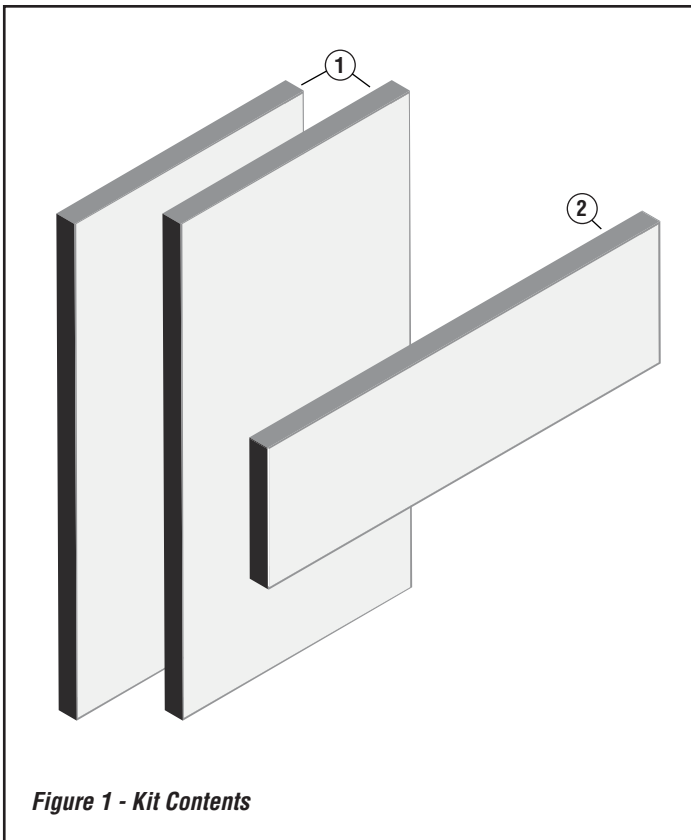
KIT CONTENTS (See Figure 1)

- 2 ea. Side Panels (9-1/8" x 17-1/4" item #1)
- 1 ea. Front Panel (15-5/8" x 4-7/8" item #2)
- 2 ea. Protective Tape
- 1 ea. Instruction Sheet

Cat. #	Model	Description
H3485	BELLA-PK-TB	Stone Panel Kit, Tan Brown
H3488	BELLA-PK-GV	Stone Panel Kit, Gallo Veneziano
H3491	BELLA-PK-SS	Stone Panel Kit, Beatrice Soapstone

TOOLS NEEDED

- 1/8" Allen Wrench
- 5/32" Allen Wrench
- 3/8" Open End Wrench



GENERAL INFORMATION

All of these parts may scratch or break, great care should be used in handling them.

If you encounter any problems, need clarification of these instructions or are not qualified to properly install this kit, contact your local distributor or dealer. Read this instruction sheet in its entirety before beginning the installation. Failure to understand and follow these directions may result in damage to the stone panels.

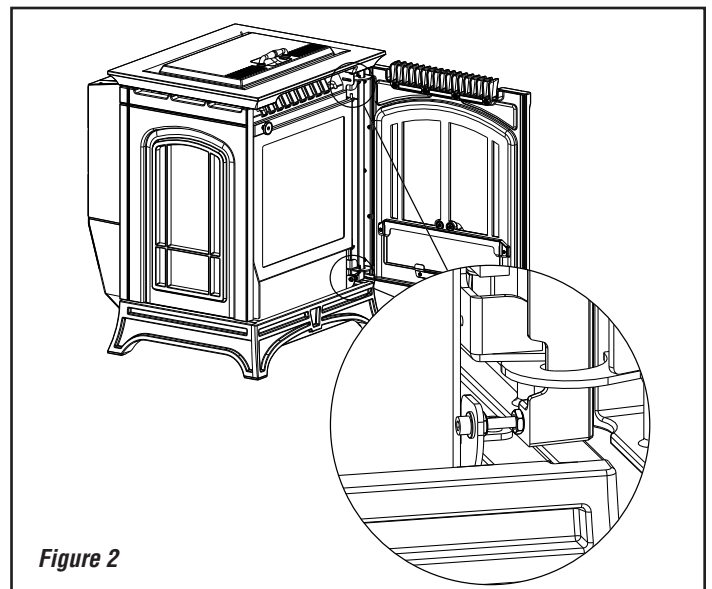
ALL WARNINGS AND PRECAUTIONS IN THE INSTALLATION AND OPERATION MANUAL PROVIDED WITH THE APPLIANCE APPLY TO THESE INSTRUCTIONS.

TURN OFF THE STOVE AND ALLOW IT TO COMPLETELY COOL BEFORE PROCEEDING.

IMPORTANT NOTE: Failure to follow these steps may result in damage to the enamel or painted surfaces as well as the stone.

INSTALLATION INSTRUCTIONS

- Step 1.** Apply protective tape to the front edge of the right side door, and the back (right) edge of the front door (see A in **Figure 3**).
- Step 2.** Locate the two right side door retaining screws (see **Figure 2**).
- Step 3.** Using a 5/32" allen wrench and a 3/8" open end wrench remove the two screws from the right side door. **Note:** the screws do not have to be completely removed from the stove body, only the right side door.



Step 3. Hold the right side door closed tightly while you carefully return the front cast iron door to the closed position, paying special attention to the narrow gap between the two doors (A in **Figure 3**).

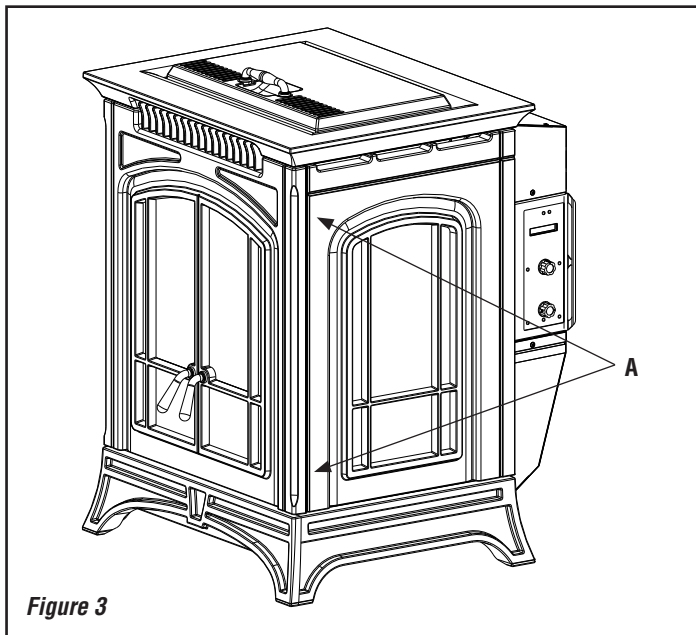


Figure 3

Step 4. With the side door open, using your 1/8" allen wrench, remove the screws attaching the top side panel bracket and set aside for step 6.

Step 5. Loosen the screws attaching the lower panel bracket enough to remove the sheet metal panel. With bracket still loose, place the stone panel between the bracket and door.

Step 6. Hold new stone panel in place while reattaching the upper side panel bracket. Snug down upper and lower screws taking care not to over-tighten.

CAUTION: OVER-TIGHTENING THE PANEL BRACKETS MAY RESULT IN DAMAGE, CRACKS ETC TO THE STONE PANELS. SNUG ONLY!

Step 7. Repeat step 6 on opposing side.

Step 8. To re-secure right side door, make sure the front cast iron door is fully closed, close the right side door and while holding it tightly shut carefully open the front door again and re-secure right side door to the firebox (see **Figure 2**). Once secure, check the clearance between the front and side castings by carefully opening the front door, adjust the side door screws accordingly.

Step 9. When you are finished installing the panels in the sides, repeat the same sequence on the front door. **Do not over tighten!**

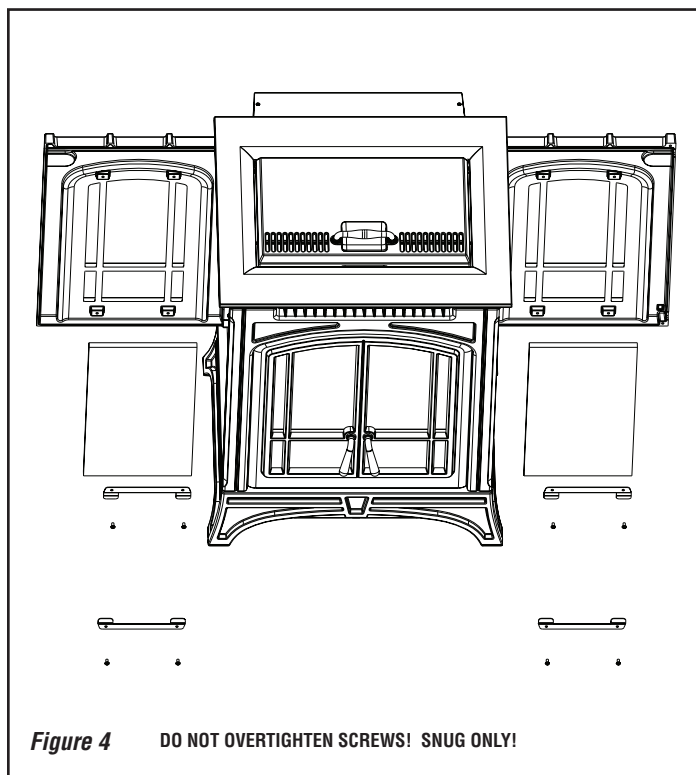


Figure 4 DO NOT OVERTIGHTEN SCREWS! SNUG ONLY!

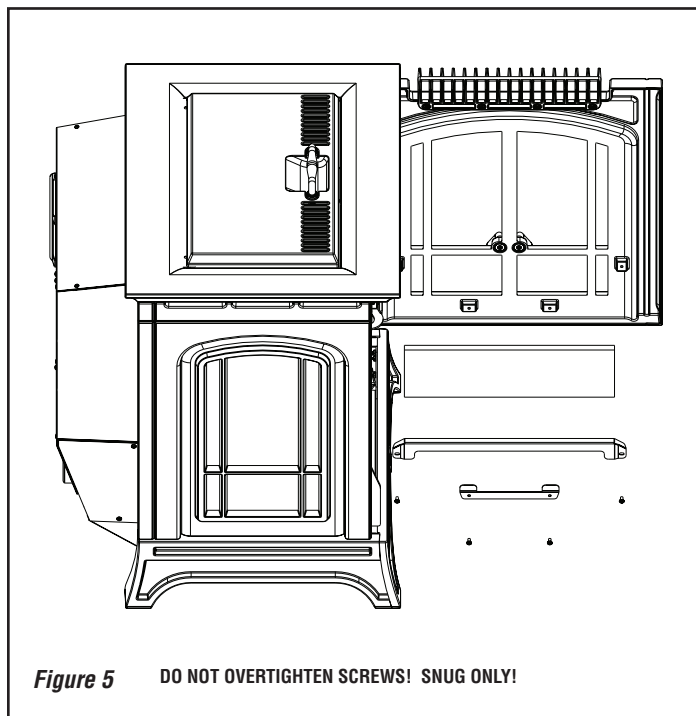


Figure 5 DO NOT OVERTIGHTEN SCREWS! SNUG ONLY!

NOTE: DIAGRAMS & ILLUSTRATIONS ARE NOT TO SCALE.

Lennox Hearth Products reserves the right to make changes at any time, without notice, in design, materials, specifications, prices and the discontinuance of colors, styles and products. Consult your local distributor for fireplace code information.

LENNOXTM

HEARTH PRODUCTS

1110 West Taft Avenue • Orange, CA 92865