



**INSTALLATION INSTRUCTIONS FOR GRILLWORK KITS**  
**Model Numbers LSS-GB35 (H0379), LSS-GG35 (H0380), LSS-GN35 (H0381),**  
**LSS-GB40 (H0399), LSS-GG40 (H0400) And LSS-GN40 (H0404)**  
**FOR USE WITH SPECTRA LSS SERIES GAS FIREPLACES**

**GENERAL INFORMATION**

These grillwork kits are designed to be used in conjunction with the Cast Iron Facade kits. Together, when installed, these kits complete the front aspect of the Spectra LSS series gas fireplaces. The kits contain one upper grill, one lower grill, one modesty shield, eight 1/4-20 securing screws and these instructions.

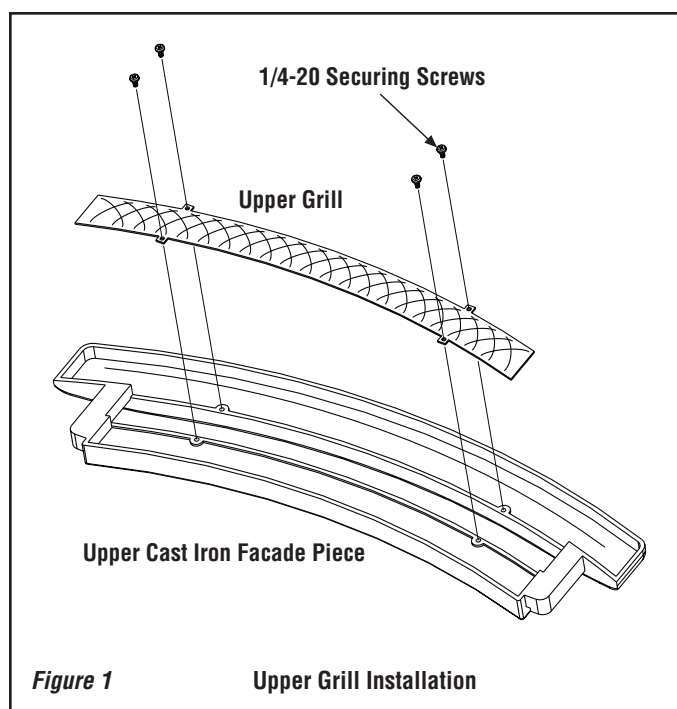
**INSTALLATION INSTRUCTIONS**

Assemble the upper and lower grills to their respective cast iron facade pieces as detailed below:

**Upper Grill**

- A. Lay the cast iron upper facade piece (arch-shaped piece) on a flat surface as shown in **Figure 1**.
- B. Position the arched upper grill over this piece and secure with four of the screws provided in the kit as shown in **Figure 1**.

**NOTE:** If the black painted grill option is being used, either side of the grill may face outward when installed on the fireplace. If the plated grill option is being used, the side with the polished surface should face outward.

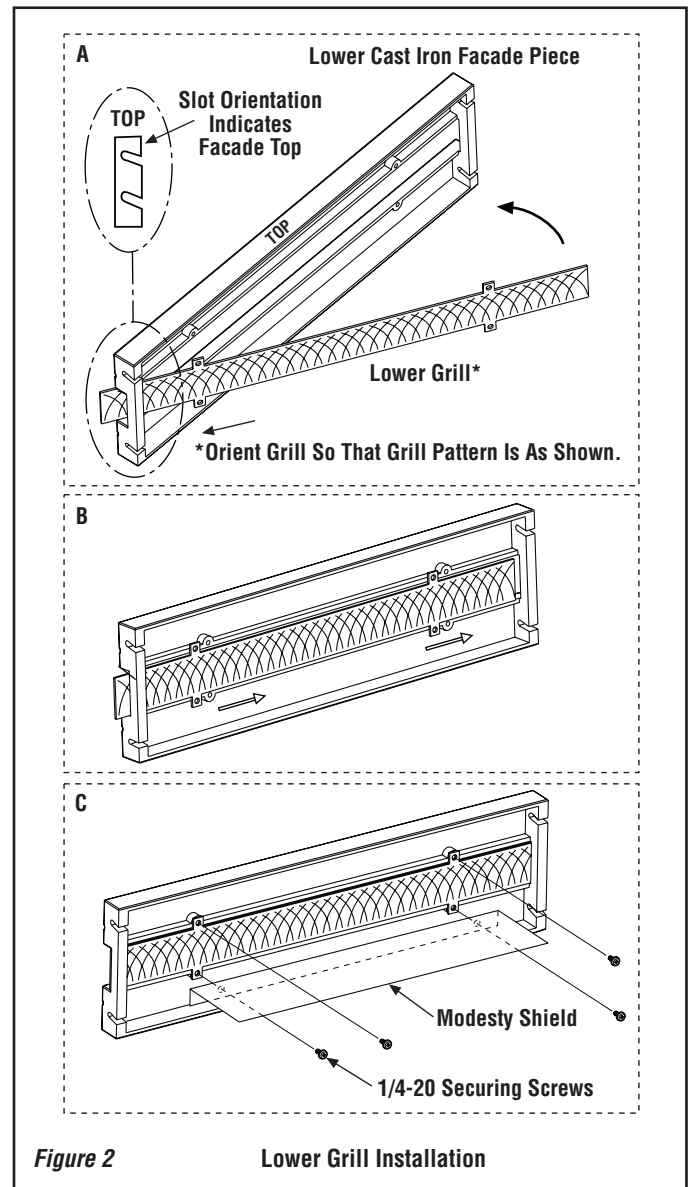


## Lower Grill

- A. Set the cast iron lower facade piece with its top up on a flat surface as shown in **Figure 2A**. Insert the lower grill, oriented as shown in **Figure 2A**, into the opening in the left end of the cast iron piece and swing the right end to rest against the back mounting surface of the cast iron piece.

**NOTE:** If the black painted grill option is being used, either side of the grill may face outward when installed on the fireplace. If the plated grill option is being used, the side with the polished surface should face outward.

- B. Slide the grill towards the right (arrow direction indicated in **Figure 2B**) until the grill and cast iron piece holes align as shown in **Figure 2C**.
- C. Position the modesty shield as shown in **Figure 2C**, aligning the holes on the shield with the bottom holes of the lower grill.
- D. Fasten the pieces together with the four 1/4-20 screws provided. See **Figure 2C**.



NOTE: DIAGRAMS & ILLUSTRATIONS NOT TO SCALE.

The manufacturer reserves the right to make changes at any time, without notice, in design, materials, specifications, prices and also to discontinue colors, styles and products. Consult your local distributor for fireplace code information.