

**INSTALLATION INSTRUCTIONS FOR BARRIER SCREEN KIT
FOR USE WITH MODEL DESIGNER™ BV GAS FIREPLACE INSERT**

ELITE™ SERIES

KIT CONTENTS

- 1 ea. Barrier Screen
- 1 ea. Instruction Sheet

Cat. No.	Model	Description
H7725	DES-BS	Barrier Screen Kit, Designer

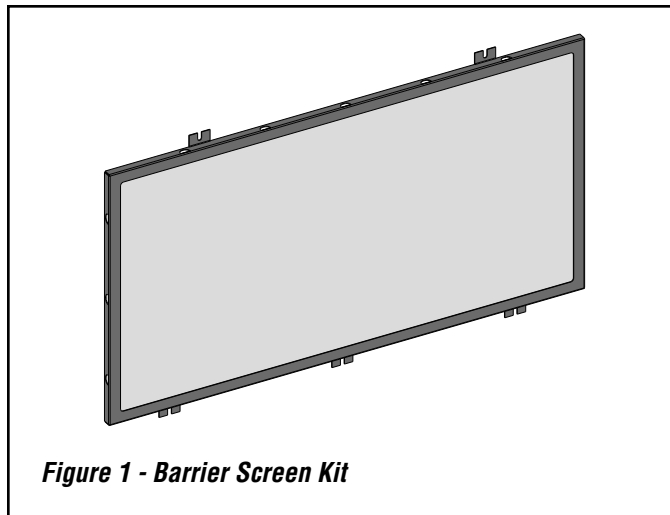


Figure 1 - Barrier Screen Kit

TOOLS REQUIRED

- 5/32" Allen Wrench

GENERAL INFORMATION

If you encounter any problems, need clarification of these instructions or are not qualified to properly install this kit, contact your local distributor or dealer.

Read this instruction sheet in its entirety before beginning the installation.

All of these parts may scratch and bend, great care should be used in handling them.

ALL WARNINGS AND PRECAUTIONS IN THE INSTALLATION AND OPERATION MANUAL PROVIDED WITH THE APPLIANCE APPLY TO THESE INSTRUCTIONS.

TURN OFF THE APPLIANCE AND ALLOW IT TO COMPLETELY COOL BEFORE PROCEEDING.

INSTALLATION INSTRUCTIONS

Step 1. Remove the barrier screen from the packaging.

Step 2. If an accessory face is installed on the unit, it must be removed from the unit before proceeding with the barrier screen installation. For detailed instructions on removing a specific accessory face, please refer to the instruction sheet that was supplied with the face.

Step 3. You must first remove the glass door to install the barrier screen. To remove the glass door, use an allen wrench to remove the upper two screws and loosen the lower three screws (see **Figures 2 and 3**). Lift the glass door up and off the lower three screws. Be careful not to damage or scratch the glass while handling. Do not operate the insert with the glass removed.

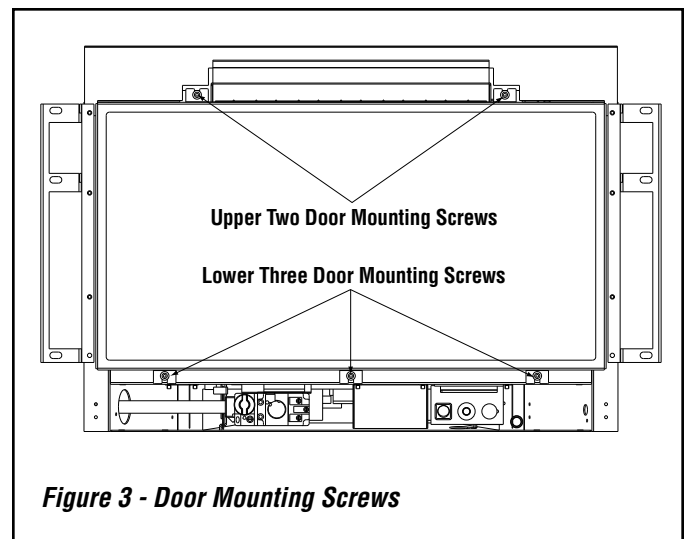


Figure 3 - Door Mounting Screws

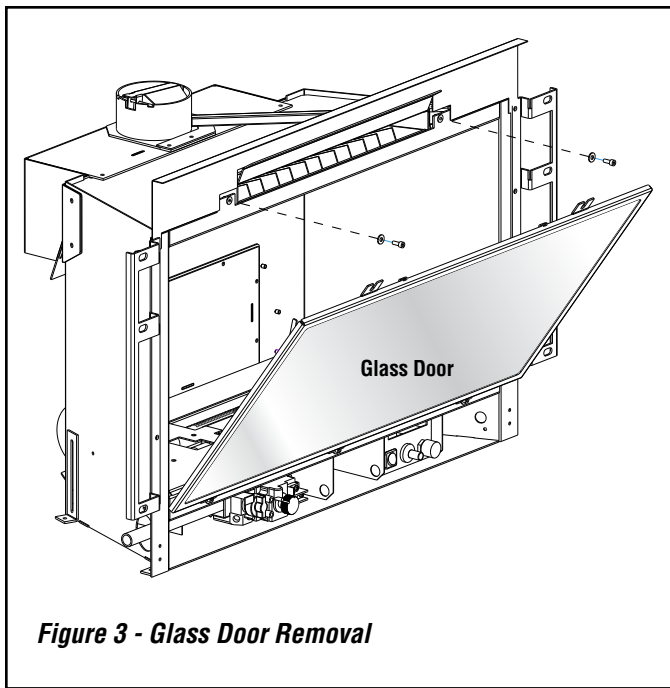


Figure 3 - Glass Door Removal

Step 4. Place the barrier screen over the glass door and reverse the glass door removal steps to reinstall. See **Figures 4 and 5.**

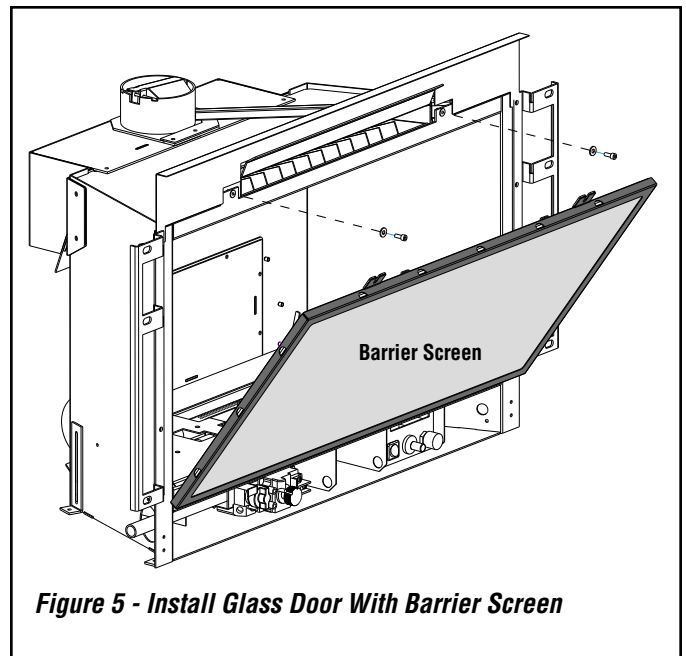


Figure 5 - Install Glass Door With Barrier Screen

Step 5. Reinstall accessory face assembly.

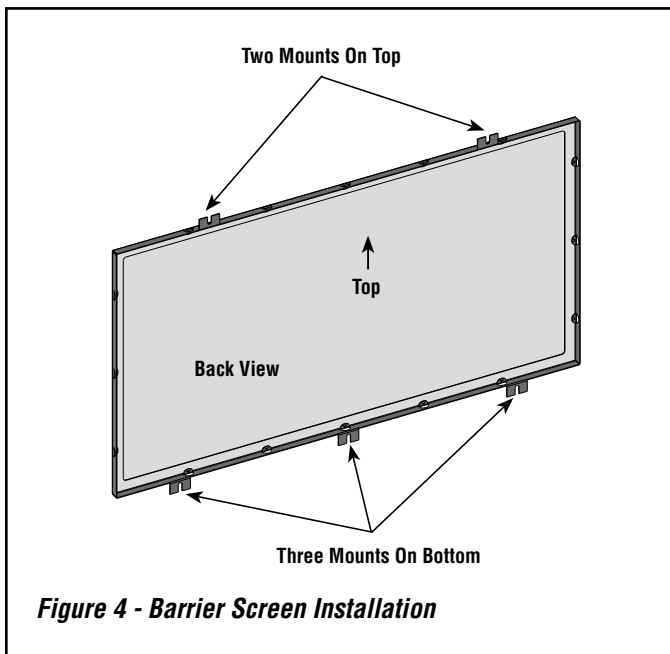


Figure 4 - Barrier Screen Installation

NOTE: DIAGRAMS & ILLUSTRATIONS ARE NOT TO SCALE.

Lennox™ reserves the right to make changes at any time, without notice, in design, materials, specifications, prices and also to discontinue colors, styles and products. Consult your local distributor for fireplace code information.