

## INSTALLATION INSTRUCTIONS FOR LEVELING LEG KIT FOR USE WITH THE BELLA™ PELLET STOVE



### KIT CONTENTS (See Figure 1)

- 4 ea. Leveling Legs
- 1 ea. Instruction Sheet

Cat. #	Model	Description
H7638	BELLA-LLK	Leveling Leg Kit

### TOOLS NEEDED

Escalera or other Heavy Lifting Device

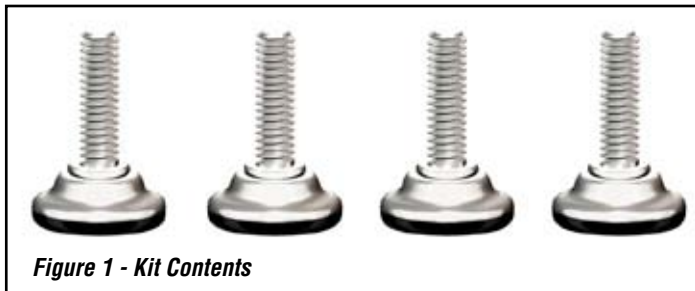


Figure 1 - Kit Contents

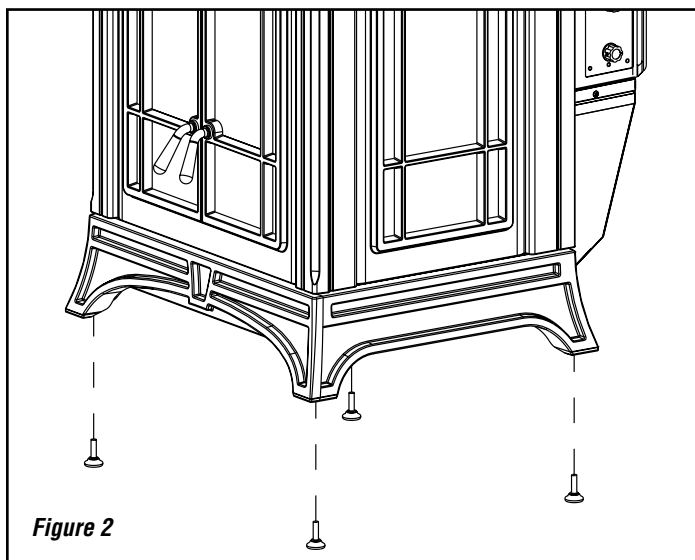


Figure 2

### GENERAL INFORMATION

If you encounter any problems, need clarification of these instructions or are not qualified to properly install this kit, contact your local distributor or dealer. Read this instruction sheet in its entirety before beginning the installation.

**ALL WARNINGS AND PRECAUTIONS IN THE INSTALLATION AND OPERATION MANUAL PROVIDED WITH THE APPLIANCE APPLY TO THESE INSTRUCTIONS.**

**TURN OFF THE STOVE AND ALLOW IT TO COMPLETELY COOL BEFORE PROCEEDING.**

### INSTALLATION INSTRUCTIONS (STANDARD INSTALLATION)

- Step 1.** Using an escalera or other heavy lifting device, secure and lift the stove to expose the bottom of the cast legs.
- Step 2.** Screw in leveling legs to all four (4) corners (Figure 2).

### INSTALLATION INSTRUCTIONS (MOBILE HOME)

- Step 1.** Same as step 1 for standard installation.
- Step 2.** Place mobile home bracket on leveling leg (Figure 3) prior to securing the leveling leg to stove.
- Step 3.** Install mobile home bracket as outlined in the installation and operation manual.

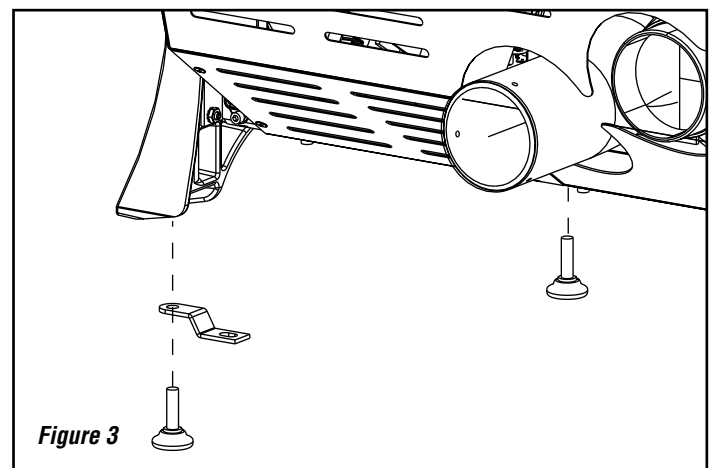


Figure 3

NOTE: DIAGRAMS & ILLUSTRATIONS ARE NOT TO SCALE.

Lennox Hearth Products reserves the right to make changes at any time, without notice, in design, materials, specifications, prices and the discontinuance of colors, styles and products. Consult your local distributor for fireplace code information.