

## CHASE TOP SHROUDS

Double Open Top



Arched Top



Single Open Top



Beautifully finish off your fireplace installation with our Chase Top Shrouds.

- Two popular styles: Open Top and Arched Top
- Open Top is available in three sizes 3'x3' and 4'x4' for single flues, 4'x6' for two flues
- Arched Top is available in 3'x3' size only
- Agency listed for use with all Superior™ and Lennox™ wood, direct-vent and B-vent gas fireplaces, stoves, and inserts
- Aluminized steel resists rust and corrosion
- Mounts easily to top of chase pan or to the corners of the chase
- May be painted on site to match the color scheme of the home
- Includes chase pan spacers for wood fireplace installations, (not required for gas fireplaces)
- Complies with requirements of: UL127, ANSI Z21.50 , Z21.88, and NFPA54
- Knocked-down (stacked flat) for easy shipping and storage. Assembles quickly and easily.

**LENNOX**

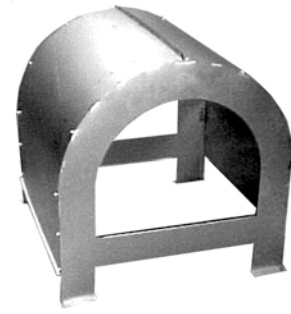
HEARTH PRODUCTS  
Innovation never felt so good.™



**Single**

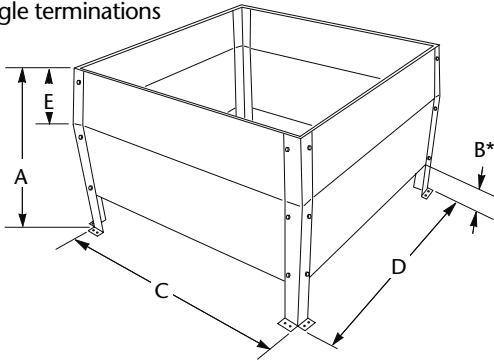


**Double**

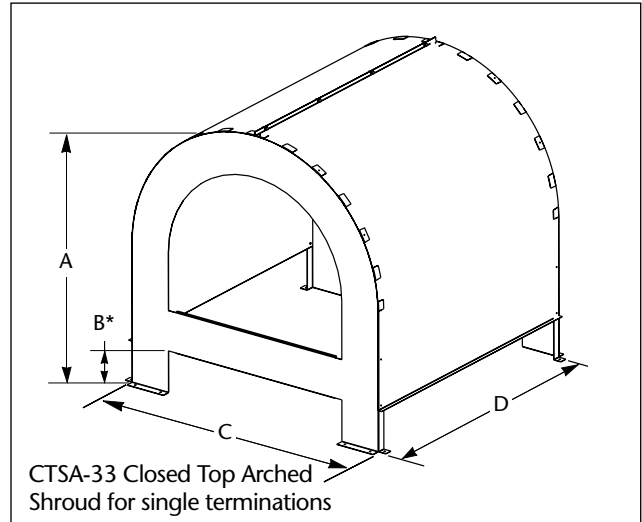
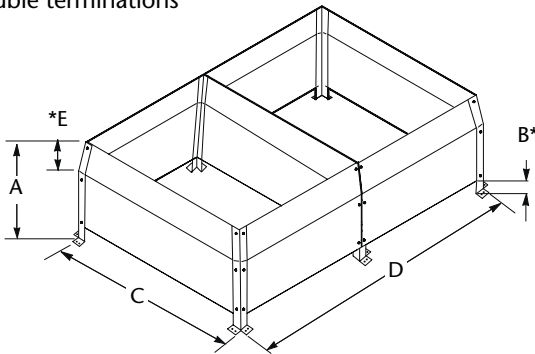


**Arched**

CTSO-33/44 Shrouds for single terminations



CTSO-46 Shroud for double terminations



CTSA-33 Closed Top Arched Shroud for single terminations

**SHROUD SPECIFICATIONS**

| Model   | A                   | B*            | C                    | D                    | E                  |
|---------|---------------------|---------------|----------------------|----------------------|--------------------|
| CTSO-33 | 24-1/2"<br>(622mm)  | 3"<br>(76 mm) | 37-5/8"<br>(955 mm)  | 37-5/8"<br>(955 mm)  | 7-1/2"<br>(191 mm) |
| CTSO-44 | 24-1/2"<br>(622 mm) | 3"<br>(76 mm) | 48-5/8"<br>(1235 mm) | 48-5/8"<br>(1235 mm) | 7-1/2"<br>(191 mm) |
| CTSO-46 | 24-1/2"<br>(622 mm) | 3"<br>(76 mm) | 48-5/8"<br>(1235 mm) | 73-1/4"<br>(1860 mm) | 7-1/2"<br>(191 mm) |

**ARCHED SHROUD SPECIFICATIONS**

| Model   | A               | B*             | C               | D               |
|---------|-----------------|----------------|-----------------|-----------------|
| CTSA-33 | 34"<br>(864 mm) | 5"<br>(127 mm) | 34"<br>(864 mm) | 34"<br>(864 mm) |

\*All shrouds must provide for air circulation at the base. Do not block this space.



**HEARTH PRODUCTS**

©Lennox Industries Inc. 2007

Visit us at [www.Lennox.com](http://www.Lennox.com), or contact us at 1-800-9-LENNOX.

785179M 07/07

**IMPORTANT NOTES:**

Diagrams, illustrations and photographs are not to scale - consult installation instructions. Product designs, materials, dimensions, specifications, colors and prices are subject to change or discontinuance without notice.



OTL Report No. 116-F-34-5