



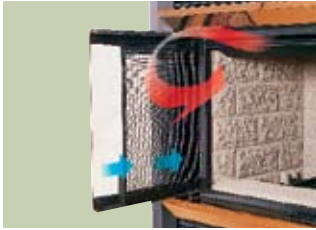
Rich heat circulation for mid- and large-sized spaces with a unique, upscale picture frame contour design and large refractory liners to simulate a real masonry fireplace.

LENNOX

HEARTH PRODUCTS
Innovation never felt so good.™

ELITE™ SERIES

STANDARD FEATURES



a.b.c.



c.d.

- a. Sliding doors with ceramic glass and fire screen retract out of sight into the sides of the frame for a full view of the fire
- b. Super-efficient air wash system prevents soot and grime buildup. The result is clean glass doors and a fresher home environment
- c. Large refractories simulate a real masonry fireplace
- d. Tilting steel grate for quick and easy cleaning

Zero-clearance on back and sides for greater finishing flexibility

Circulating heat up to 170 CFM without blowers

Pre-installed outside air adapter

Outside air kit (4" I.D. insulated flex pipe by 10 feet long)

Chimney system: 8" I.D. AC or Secure Temp™ ASHT

Listed to UL127 and to CSA S610

Warnock Hersey report file number 192-5166

OPTIONAL ACCESSORIES



1.



2.



3.

- 1. Black door and horizontal top and bottom trim (standard)
- 2. Gold door capping with gold horizontal top and bottom trim kits
- 3. Brushed nickel door capping with brushed nickel horizontal top and bottom trim kits

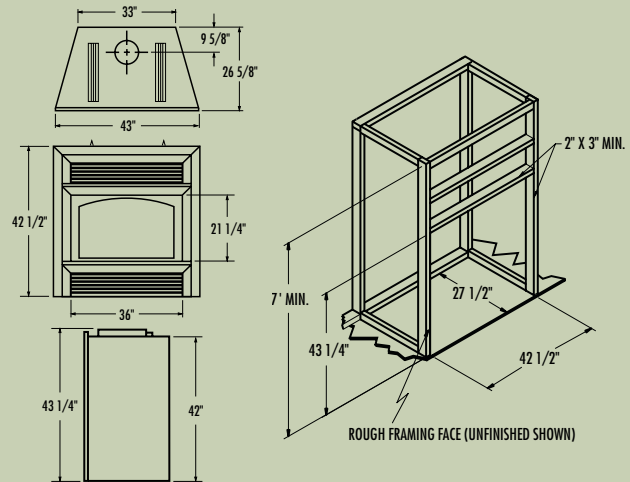
Heat-activated on/off pre-wired fan kit

Forced air heating kit

If you enjoy the classic look and feel of a real wood-burning fireplace, then look no further than the ME43. It features high-end styling that emulates a real masonry-built fireplace and contains the latest advancements in convenience and powerful heating. Inside, an efficient convection system offers the perfect combination of beauty and highly efficient heat recovery. For optimal viewing of your burning fire, keep the doors opened and tucked away with the unique retractable door design.

For comfort, the ME43 does a remarkable job of recovering heat from a dynamic, roaring fire. Its standard outside air system offers a level of control not found on traditional fireplaces. And with a tilting grate that lifts up and out of the way, clean up and ash removal are simple.

ME43 UNIT & FRAMING DIMENSIONS



PRODUCTS YOU CAN COUNT ON

Lennox is committed to providing you with high-quality products. A qualified dealer can help you find the right product to give you years of comfort and enjoyment.

IMPORTANT NOTES:

As with any heating appliance, fireplace or stove, this appliance is extremely hot during operation. Read and understand all operating instructions before using this appliance. For further information, consult your dealer.

Actual performance may vary depending upon home design and insulation, ceiling heights, climate, condition and type of wood used, appliance location, burn rate, accessories chosen, chimney installation and how the appliance is operated.

Diagrams, illustrations and photographs are not to scale - consult installation instructions. Product designs, materials, dimensions, specifications, colors and prices are subject to change or discontinuance without notice.



LENNOX

HEARTH PRODUCTS
Innovation never felt so good.™

© Lennox Industries Inc. 2007

Visit us at www.lennox.com, or contact us at 1-800-9-LENNOX.